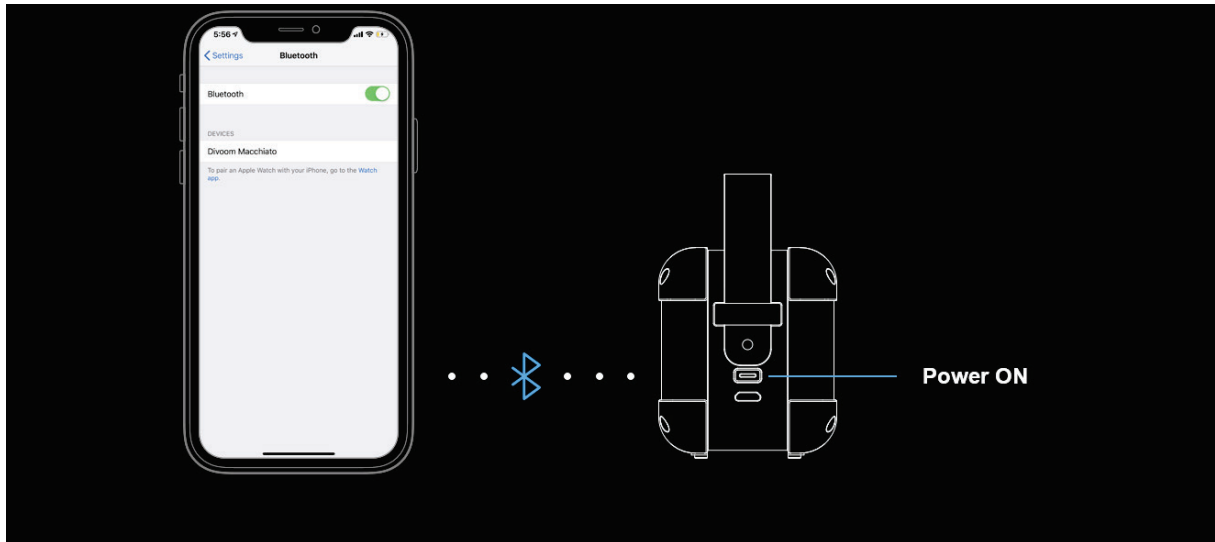


How to operate the Macchiato



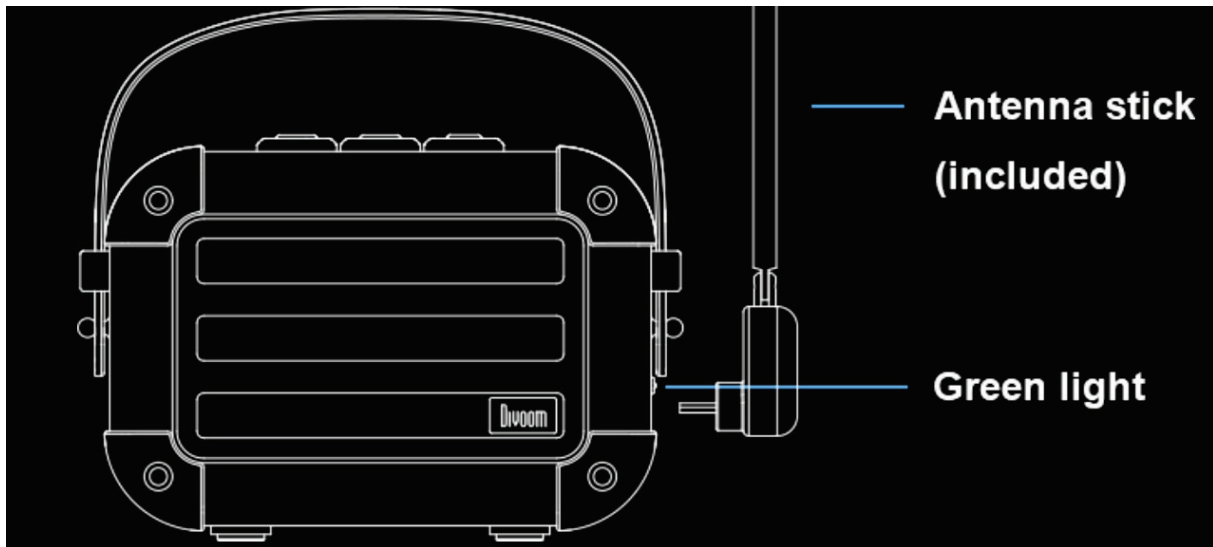
Mode

1. Power ON the Macchiato
2. Go to phone's Setting>Bluetooth,
3. Search and connect 'Divoom Macchiato'
4. Play music

FM Radio Mode

1. Power ON the Macchiato
2. Press the power button again
3. The power indicator light change to green
4. Hold the Play button to scan stations
5. Hold +/- to switch stations

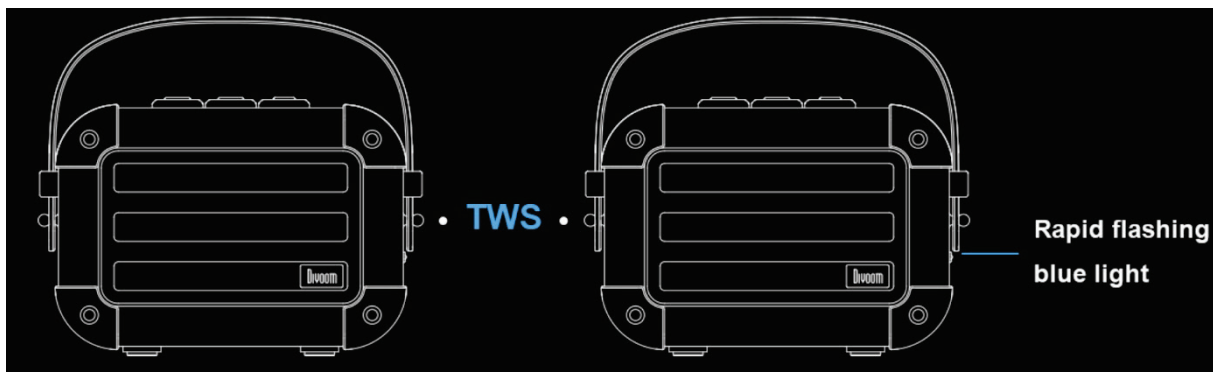
*Attach the antenna stick to enhance radio signal strength



AUX mode

1. Power ON the Macchiato
2. Press the power button twice
3. The power indicator light change to teal color
4. Insert the Micro USB to AUX cable

*Volume control is enabled to the audio player device only



TWS pairing

1. Power ON the Macchiato
2. Hold the Play button, and indicator light will flash rapid blue light
3. Power ON the 2nd Macchiato (do not connect it with Bluetooth)

4. The two Macchiato will be paired together within 30 seconds

5. Search and connect the 'Divoom Macchiato'

*TWS function only available under Bluetooth (Radio or AUX not supported)

*TWS function does not support other TWS enabled Divoom speakers

*While attempting to connect the 2nd Divoom speaker, please make sure the other speaker is NOT connected with a phone.