

Lenco

Model PMX-350



User manual-High power DJ mixer system with Bluetooth, USB, FM and party lights

Gebruikershandleiding-Krachtig DJ-mixersysteem met Bluetooth USB FM en discolichten

Bedienungsanleitung Hochleistungs-DJ-Mixersystem mit Bluetooth, USB, UKW und Partylicht

Mode d'emploi - Système de mixage DJ puissant avec Bluetooth, USB, FM et éclairages de fête

Manual de usuario –Sistema de mezclador DJ de alta potencia con Bluetooth, USB, FM y luces festivas

Index	
English.....	3
Nederlands.....	14
Deutsch.....	25
Français.....	36
Español.....	46

CAUTION:

Usage of controls or adjustments or performance of procedures other than those specified herein may result in hazardous radiation exposure.

This unit should not be adjusted or repaired by anyone except qualified service personnel.

PRECAUTIONS BEFORE USE

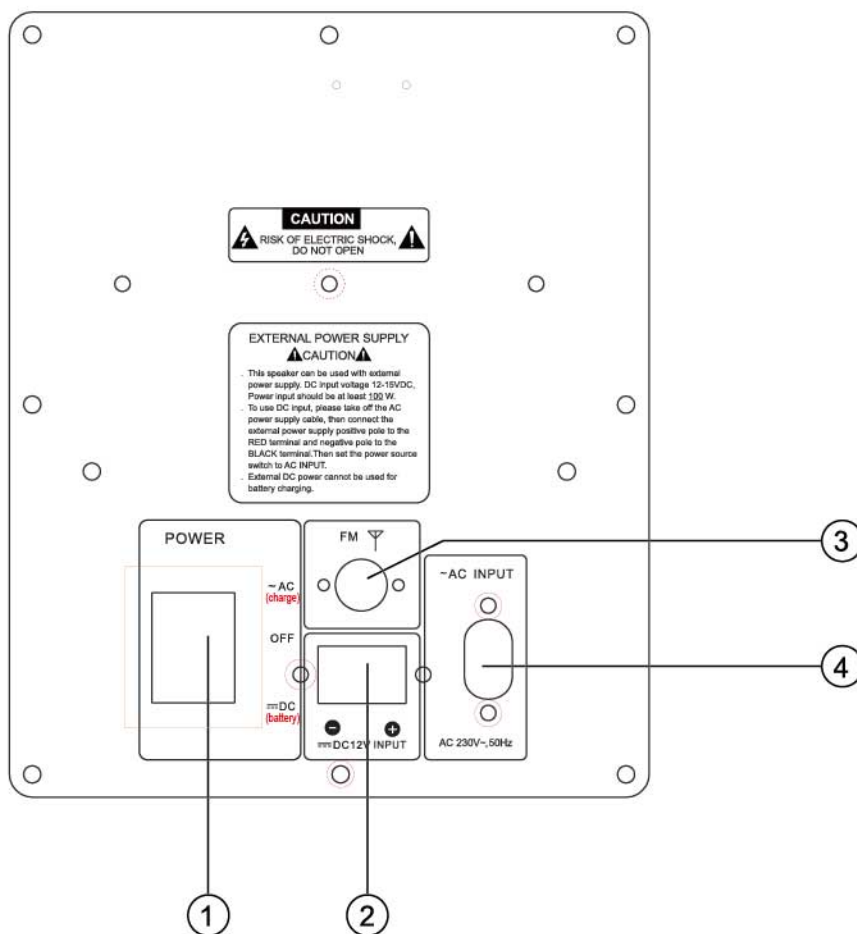
KEEP THESE INSTRUCTIONS IN MIND:

1. Do not use this device near water.
2. Clean only with a slightly damp cloth.
3. Do not cover or block any ventilation openings. When placing the device on a shelf, leave 5 cm (2") free space around the whole device.
4. Install in accordance with the supplied user manual.
5. Don't step on or pinch the power adaptor. Be very careful, particularly near the plugs and the cable's exit point. Do not place heavy items on the power adaptor, which may damage it. Keep the entire device out of children's reach! When playing with the power cable, they can seriously injure themselves.
6. Unplug this device during lightning storms or when unused for a long period.
7. Keep the device away from heat sources such as radiators, heaters, stoves, candles and other heat-generating products.
8. Avoid using the device near strong magnetic fields.
9. Electrostatic discharge can disturb normal usage of this device. If so, simply reset and restart the device following the instruction manual. During file transmission, please handle with care and operate in a static-free environment.
10. Warning! Never insert an object into the product through the vents or openings. High voltage flows through the product and inserting an object can cause electric shock and/or short circuit internal parts. For the same reason, do not spill water or liquid on the product.
11. Do not use in wet or moist areas such as bathrooms, steamy kitchens or near swimming pools.
12. Do not use this device when condensation may occur.
13. Although this device is manufactured with the utmost care and checked several times before leaving the factory, it is still possible that problems may occur, as with all electrical appliances. If you notice smoke, an excessive build-up of heat or any other unexpected phenomena, you should disconnect the plug from the main power socket immediately.
14. This device must be well ventilated at all time!
15. This device must operate on a power source as specified on the specification label. If you are not sure of the type of power supply used in your home, consult your dealer or local power company.
16. The socket outlet must be installed near the equipment and must be easily accessible.
17. Do not overload ac outlets or extension cords. Overloading can cause fire or electric shock.
18. Devices with class 1 construction should be connected to a main socket outlet with a protective earthed connection.
19. Devices with class 2 construction do not require a earthed connection.
20. Keep away from rodents. Rodents enjoy biting on power cords.
21. Always hold the plug when pulling it out of the main supply socket. Do not pull the power cord. This can cause a short circuit.
22. Avoid placing the device on any surfaces that may be subject to vibrations or shocks.
23. To protect the device during a thunderstorm, unplug the ac power adaptor.
24. When the device is not in use for long periods, unplug the ac power adaptor for safety reasons.
25. To clean the device, use a soft dry cloth. Do not use solvents or petrol based fluids. To remove severe stains, you may use a damp cloth with dilute detergent.
26. The supplier is not responsible for damage or lost data caused by malfunction, misuse, modification of the device or battery replacement.

27. Do not interrupt the connection when the device is formatting or transferring files. Otherwise, data may be corrupted or lost.
28. The usb memory stick should be plugged into the unit directly. Don't use an usb extension cable because it can cause interference resulting in failing of data.
29. The apparatus shall not be exposed to dripping or splashing and make sure that no objects filled with liquids, such as vases, are placed on or near the apparatus.
30. To completely disconnect the power input, the mains plug of the apparatus shall be disconnected from the mains, as the disconnect device is the mains plug of apparatus.
31. The mains plug of the apparatus should not be obstructed or should be easily accessed during intended use.
32. Battery shall not be exposed to excessive heat such as sunshine, fire or the like.
33. Minimum distance of 10cm around the apparatus is needed for sufficient ventilations.
34. The ventilation should not be impeded by covering the ventilation openings with items such as newspapers, table-cloths, curtains etc.
35. No naked flame sources such as lighted candles should be placed on the apparatus.
36. Attention should be drawn to the environmental aspects of battery disposal.
37. The apparatus can only be used in moderate extremely cold or climates warm environments should be avoided.
38. The rating label has been marked on the bottom panel of the apparatus.
39. This device is not intended for use by people (including children) with physical, sensory or mental disabilities, or a lack of experience and knowledge, unless they're under supervision or have received instructions about the correct use of the device by the person who is responsible for their safety.
40. This product is intended for household use only and not for commercial or industrial use.
41. Make sure the unit is adjusted to a stable position. Damage caused by using this product in an unstable position or by failure to follow any other warning or precaution contained within this user manual will not be covered by warranty.
42. Never remove the casing of this apparatus.
43. Never place this apparatus on other electrical equipment.
44. Do not use or store this product in a place where it is subject to direct sunlight, heat, excessive dust or vibration.
45. Do not clean this product with water or other liquids.
46. Do not block or cover the slots and holes in the product.
47. Do not push foreign objects into the slots or holes in the product.
48. Do not allow children access to plastic bags.
49. Please check that the voltage on the type plate of your appliance corresponds with your house electricity supply (type plate is located on the back of the unit).
50. Protect the power cord from being walked on or pinched, particularly at plugs, convenience receptacles, and the point where they exit from the apparatus.
51. Only use attachments/accessories specified by the manufacturer.
52. Refer all servicing to qualified service personnel. Servicing is required when the apparatus has been damaged in any way, such as the power supply cord or the plug, when liquid has been spilled or objects have fallen into the apparatus, when the apparatus has been exposed to rain or moisture, does not operate normally, or has been dropped.
53. Do not use a damaged power cord or plug or a loose outlet. Doing so may result in fire or electric shock. Warning: prolonged exposure to loud sounds from personal music players may lead to temporary or permanent hearing loss.

INSTALLATION

- Unpack all parts and remove protective material.
- Do not connect the unit to the mains before checking the mains voltage and before all other connections have been made.
- Do not cover any vents and make sure that there is a space of several centimeters around the unit for ventilation.



1. Power Switch

Switch modes DC INPUT, AC INPUT or off.

When switched to AC status, the speaker is working on 230V and Battery will be charged.

When switched to OFF, power is off with no battery charging.

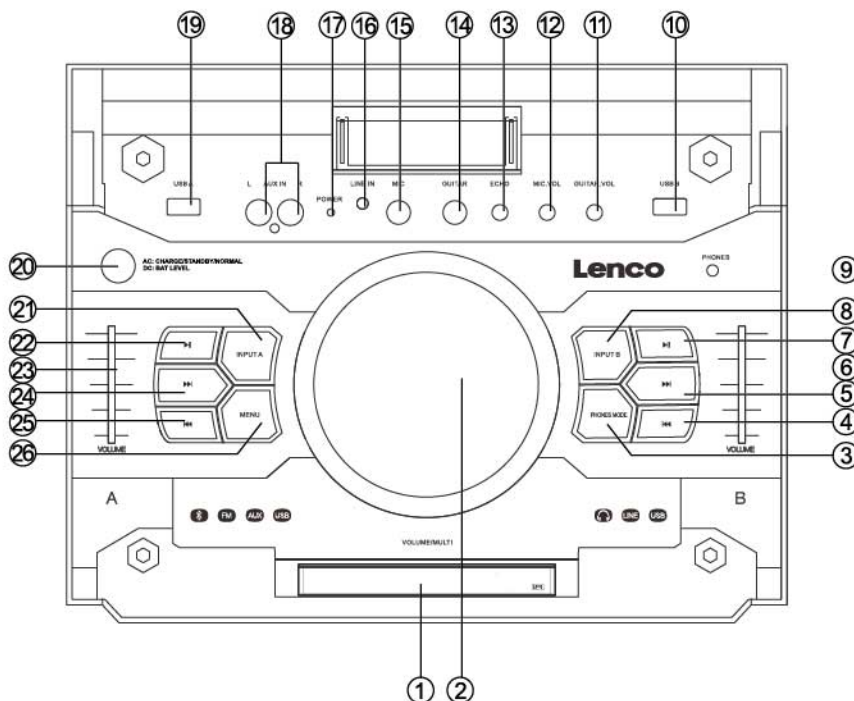
When switched to DC, speaker is battery powered.

2. DC 12V INPUT

The speaker can be connected to the 12V DC battery of a car.

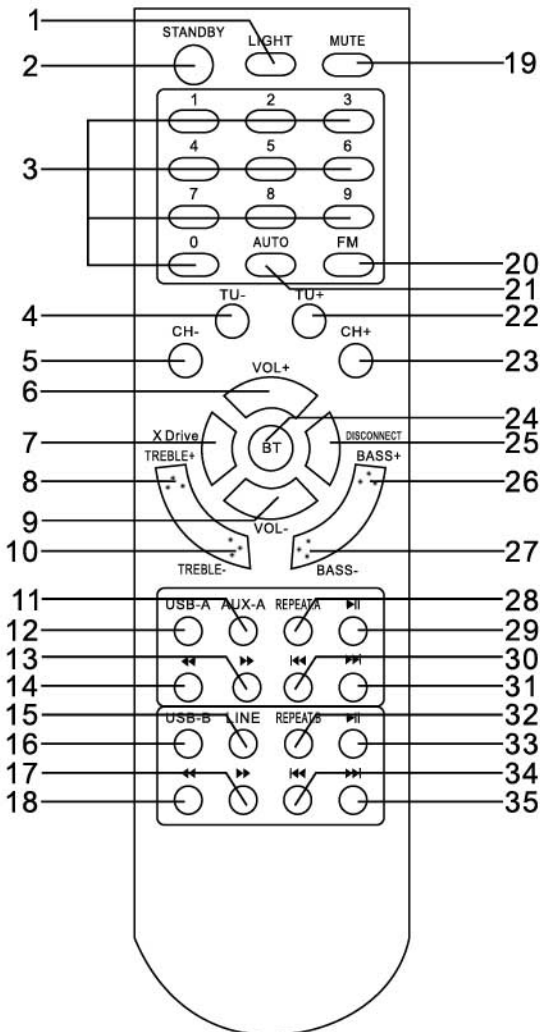
3. FM ANTENNA

4. AC INPUT AC 230V~, 50Hz

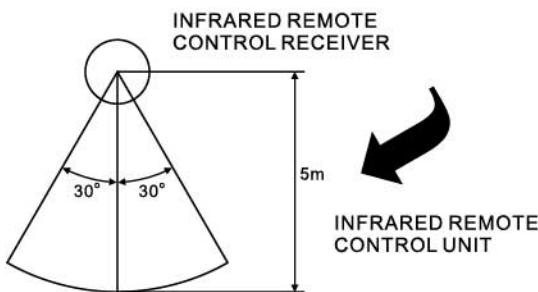


1. **LED DISPLAY**
Display System parameter information, the left side of the display shows the INPUT A status, the right side of the display shows the INPUT B status
2. **VOLUME/MULTI/DJ EFFECT**
Rotate the wheel to adjust the main volume, phones volume, treble, bass. Short press this key to choose different music effect SCRATCH, REVERB, BEAT BOX, YEAH, BRING IT, GEYA, COME ON Long press plays DRUMS effect.
3. **PHONES MODE**
Press this key to choose different EARPHONES mode, INPUT A, INPUT B, INPUT AB
4. **INPUT B PREV**
Press this key to choose previous music with USB B
5. **INPUT B NEXT**
Press this key to choose next music with USB B
6. **INPUT B VOLUME**
This is used to adjust the volume with INPUT B
7. **INPUT B PLAY/PAUSE**
Press this key to choose play/pause music with INPUT B
When playing usb, long press this key to change playtime count down or count up.
8. **INPUT B MODE**
Press this key to choose different INPUT B mode, LINE, USB B
9. **EARPHONES INPUT JACK**
10. **USB B input jack**
11. **GUITAR VOLUME**
Adjust the volume of the GUITAR
12. **MIC VOLUME**
Adjust the volume of the MICROPHONE

13. ECHO
Adjust the ECHO of the MIC input
14. GUITAR jack
15. MIC jack
16. LINE IN AUDIO INPUT JACK
Connect to LINE IN signal input jack.
17. DC POWER light
18. AUX AUDIO INPUT JACK
Connect to AUX signal input jack.
19. USB A input jack
20. On AC: CHARGE/STANDBY/NORMAL
A long Press on this key turns on or standby the unit. A short Press on this key turns on the unit to CHARGE, STANDBY or NORMAL mode
On DC: BAT LEVEL
A Press on this key shows the current battery level.
21. INPUT A MODE
Press this key to choose different INPUT A mode, AUX A, BT A, FM, USB A
22. INPUT A PLAY/PAUSE
Press this key to choose play/pause music with INPUT A
When playing usb, long press this key change play time count down or count up.
23. INPUT A VOLUME
This is used to adjust the volume of INPUT A
24. INPUT A NEXT
Press this key to choose next music with USB A
25. INPUT A PREV
Press this key to choose previous music with INPUT USB A
26. MENU
This switch selects the main volume, bass, treble, x driver, light mode



1. LIGHT
2. STANDBY
3. NUMBER BUTTON
4. TUNING-
5. CHANNEL-
6. VOLUME+
7. X DRIVE
8. TREBLE+
9. VOLUME-
10. TREBLE-
11. AUX-A
12. USB-A
13. USB-A F.WARD ►►
14. USB-A B.WARD ◄◄
15. LINE
16. USB-B
17. USB-B F.WARD ►►
18. USB-B B.WARD ◄◄
19. MUTE
20. FM
21. AUTO
22. TUNING+
23. CHANNEL+
24. BT
25. DISCONNECT
26. BASS+
27. BASS-
28. INPUT-A REPEAT
29. INPUT-A PAUSE ►|
30. INPUT-A PREVIOUS ◄◄
31. INPUT-A NEXT ►►
32. INPUT-B REPEAT
33. INPUT-B PAUSE ►|
34. INPUT-B PREVIOUS ◄◄
35. INPUT-B NEXT ►►



REMOTE CONTROL OPERATION:

- If the remote control conflicts with other devices, the operation will be affected.
- Do not simultaneously press buttons on the unit and the remote control.
- Avoid using two remote controls at the same time as this will cause a malfunction.
- Use only UM-4 'AAA' size batteries. Do not mix old batteries with new ones.
- If the batteries leak, clean the remote control thoroughly before replacing batteries
- Do not short two terminals of the batteries. Dispose old batteries in a suitable place.

NORMAL FUNCTION

1. Select power switch on the backside of the speaker to AC or DC mode.
2. Select an audio source by pressing the INPUT A key on the front panel to display AUX A, BT A, FM, USB A. Press the INPUT B key on the front panel to display LINE, USB B.

When unit is AC mode:

- Pressing standby button once, will activate charging mode, showing the battery charging status on the blue led-display.
- Pressing standby button second time will activate the speaker and showing green charging light.
- You can also select the standby mode, without charging the battery

When unit is DC mode:

- Pressing standby button shows the battery level on the blue led display
3. Rotate the VOLUME/MULTI/DJ EFFECT wheel on the control panel or the VOL+/- key on the remote control to adjust the main volume. Then adjust the volume slider of INPUT A and use the right volume slider to change the volume of INPUT B.
 4. To adjust the bass, treble, X-drive, speaker lights and main volume, press the menu key to select bass, treble, X-drive, speaker lights, then rotate the big VOLUME/MULTI/DJ EFFECT wheel.
 5. PHONES OUTPUT selection. Press the PHONES MODE button on the control panel to display INPUT A, INPUT B, or INPUT AB and adjust the volume of A,B or AB by rotating the multi DJ effect wheel.
 6. Press the LIGHT button on the remote control or press the MENU button on the front panel until speaker light mode is displayed, then rotate the VOLUME/MULTI/DJ EFFECT wheel to select to OFF, R, G, B, RG, RB, GB, RGB, AUTO, DEMO light mode.
 7. Press the MUTE key on the remote to mute, press it again to reset.
 8. Press X DRIVE on the remote to turn on/off X-Bass effect.

SPEAKER LIGHT COLOR CONTROL OPTIONS

- R = red lights flash
- G = green lights flash
- B = blue lights flash
- RG = red and green lights flash
- RB = red and blue lights flash
- GB = green and blue lights flash
- RGB = red, green, and blue lights flash
- Auto = the various color combinations cycle through and flash.
- Demo = lights flash and change color as if they were responding to the beat of the music.

TUNER APPLICATIONS

1. Before using the radio functions, you must adjust the antenna to obtain optimum reception. Press the INPUT A key on the front panel or the FM key on the remote control, to select “FM” function.
2. Press the AUTO key on the remote control or the play button of the INPUT A control panel. The machine will scan radio channels from low- frequency to high-frequency by itself and stores the channels found one by one.
3. Press the CH+/CH- key on the remote control to change radio presets that have been stored previously.
4. Press or hold the TU+/TU- key on the remote control to adjust the radio frequency manually.
5. To select radio stations from the control panel, press and hold the next/prev buttons.

KARAOKE & GUITAR FUNCTION

1. The machine can auto detect whether a MICROPHONE or GUITAR is connected. Please turn off the microphone volume with the MIC.VOL knob on the front panel and adjust the volume gradually after inserting the microphone. Remark : The PMX-350 is delivered with a wireless microphone using 2AA batteries (not included). When you switch the button to “ ON “, you can speak in it and adjust volume and echo on the control panel.
2. Adjust the ECHO knob on the front panel to change the microphone ECHO.
3. Adjust the GUITAR VOL knob on the front panel to change the guitar VOLUME.

Note: Do not touch the top of the microphone when singing in order to avoid howling effect.

Adjust the microphone volume gradually to avoid howling effect.

BLUETOOTH PAIRING AND CONNECT

- Turn off any Bluetooth devices previously paired (linked) with this unit.
- Turn on the Bluetooth feature on your phone or music player.
- Turn on and set this unit to Bluetooth mode. The flashing blue light “BT” on LED display indicates it is in pairing mode.
- Set your phone or music player to search for Bluetooth devices.
- Select ‘PMX-350’ from search results on your phone or music player.
- Select OK or YES to pair this unit with your phone or music player.
- If protected, enter 0000 for passkey steady blue light indicates successful connection.
- Press the DISCONNECT key on the remote control to disconnect the Bluetooth.

FUNCTION OF USB READER

USB interface

This unit has two USB jacks. Press the INPUT A key to select USB A, then you can insert a USB stick to play music. Press the INPUT B key to select USB B, then you can insert another USB stick to play music.

Important: The USB port is intended for data transfer only, other devices cannot be used with this USB connection. The use of USB extension cords is not recommended.

TIME DISPLAY

In USB mode, the display can show either the elapsed or the remaining time.

With long press of the play/pause key, you can select negative or positive display of the time.

CHARGING THE BATTERY

1. When in battery powered mode, the standby operation cannot be used.
2. The control panel has a charging light. When the battery is charged enough, the light is green. When the battery is low, the system display prompts 'LOW POWER' and the light turns red.

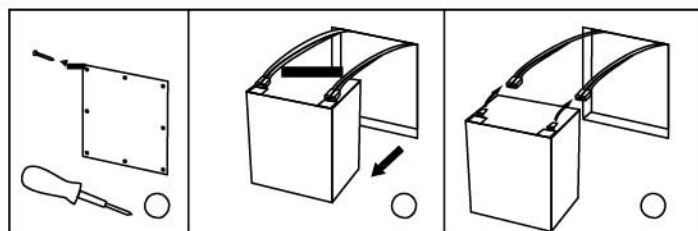
TO PROTECT THE LIFETIME OF THE INTERNAL BATTERY :

When the battery is empty, switch immediately the POWER knob on the backside to OFF position to protect the lifetime of the internal battery or to AC to charge it again.

Important: The supplier is not responsible for damage caused by misuse of the device and the battery will not be covered by the guarantee .

BATTERY DISASSEMBLY

1. Remove the screws on the rear panel.
2. Take out the battery.
3. Disconnect the battery



ACCESSORIES

Remote control	1 pc
Instruction Manual	1 pc
Wireless Microphone	1 pc
AC power cable	1 pc

	SPECIFICATION
Frequency Response	20Hz-20KHz
Power Source	230V~, 50Hz/12VDC
Power Consumption	120W
Battery	Lead/Acid 12VDC, 7 Ah
DC Playback time	~12hrs on 50% volume
Output power	320W (RMS)
Microphone	Wireless 864 MHz
Bluetooth	V4.2
FM radio	87.5-108 MHz
Unit Size (W x D x H)	43 x 28 x 115 cm
Tweeter size	1 x 1 inch
Woofer size	1 x 3 inch
Subwoofer size	2 x 12 inch
Unit weight	29.2 kg
Working Temperature	10-40 °C

- The specification presents only as a reference. The value of weight and size are approximation.
- Our product is improved ceaselessly and the specification and function may be changed without prior notice.

Please note (For use of wireless microphone)

This product operates at a frequency of **864** MHz and is designated only to be used inside a normal household environment. This product is suited for this purpose within most EU countries.

The user should check the allowed frequencies of the country where the unit will be used in.

(More information can be found at: <https://www.apwpt.org>)

The user is responsible for the use of this unit. Lenco cannot be held responsible if this unit is used for other purposes than which are described in this manual.

Guarantee

Lenco offers service and warranty in accordance to European law, which means that in case of repairs (both during and after the warranty period) you should contact your local dealer.

Important note: It is **not** possible to send products that need repairs to Lenco directly.

Important note: If this unit is opened or accessed by a none official service center in any way, the warranty expires.

This device is not suitable for professional use. In case of professional use, all warranty obligations of the manufacturer will be void.

Disclaimer

Updates to Firmware and/or hardware components are made regularly. Therefore some of the instruction, specifications and pictures in this documentation may differ slightly from your particular situation. All items described in this guide for illustration purposes only and may not apply to a particular situation. No legal right or entitlements may be obtained from the description made in this manual.

Disposal of the Old Device



This symbol indicates that the relevant electrical product or battery should not be disposed of as general household waste in Europe. To ensure the correct waste treatment of the product and battery, please dispose them in accordance to any applicable local laws of requirement for disposal of electrical equipment or batteries. In so doing, you will help to conserve natural resources and improve standards of environmental protection in treatment and disposal of electrical waste (Waste Electrical and Electronic Equipment Directive).

Service

For more information and helpdesk support, please visit www.lenco.com

Lenco Benelux BV, Thermiekstraat 1a, 6361 HB Nuth, The Netherlands.

LET OP!

Het gebruik van bediening of instellingen of het uitvoeren van procedures anders dan zoals zij hierin staan beschreven, kan leiden tot blootstelling aan gevaarlijke straling.

Dit apparaat mag alleen worden afgesteld of gerepareerd door gekwalificeerd onderhoudspersoneel.

VOORZORGSMAATREGELEN

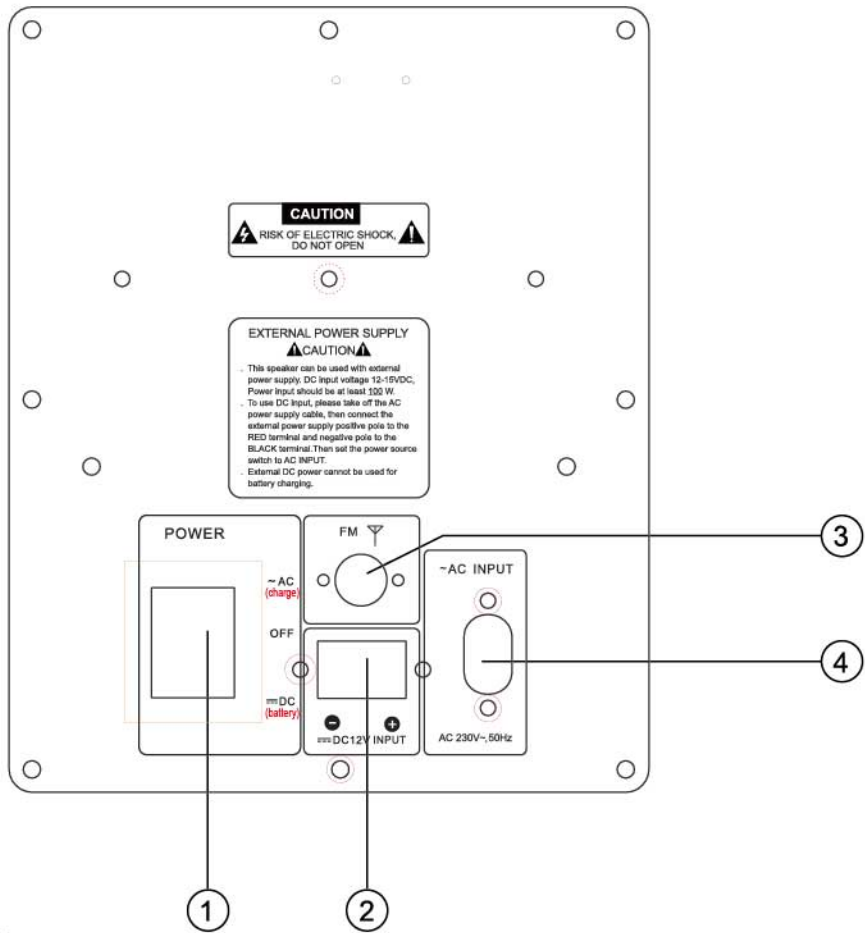
1. Niet gebruiken in de buurt van water.
2. Alleen schoonmaken met een licht bevochtigde doek.
3. Blokkeer de ventilatieopeningen niet. Houd ten minste 5 cm (2") ruimte vrij rond het gehele apparaat als het op een plank wordt geplaatst.
4. Installeer in overeenstemming met de meegeleverde handleiding.
5. Bescherm het netsnoer, zorg ervoor dat er niet op gestapt wordt en dat het niet geplet wordt, vooral bij de stekker en het punt waar de kabel het apparaat verlaat. Plaats geen zware voorwerpen, die het netsnoer kunnen beschadigen, op het netsnoer. Houd het gehele apparaat buiten bereik van kinderen! Zij kunnen zichzelf ernstig verwonden wanneer ze met het netsnoer spelen.
6. Haal de stekker uit het stopcontact tijdens onweer of bij lange perioden van niet-gebruik.
7. Houd het apparaat uit de buurt van warmtebronnen zoals radiatoren, kachels, fornuizen, kaarsen en andere producten die warmte genereren.
8. Gebruik het apparaat niet in de buurt van sterke magnetische velden.
9. De normale werking van het product kan worden verstoord door elektrostatische ontlading. Als dit het geval is, reset het apparaat en start het opnieuw op volgens de instructies in de handleiding. Ga tijdens het overdragen van bestanden voorzichtig te werk en gebruik het apparaat in een statisch-vrije omgeving.
10. **Waarschuwing!** Steek nooit voorwerpen door de ventilatieopeningen in het product. Er stromen hoge spanningen in het product en een voorwerp in het product steken kan leiden tot elektrische schokken en/of kortsluiting door dezelfde reden, mors geen water of vloeistoffen op het product.
11. Gebruik het product niet in natte of vochtige omgevingen, zoals badkamers, stomige keukens of in de buurt van zwembaden.
12. Gebruik het apparaat niet als er condens kan ontstaan.
13. Dit product is geproduceerd volgens alle geldende veiligheidsnormen. De volgende veiligheidstips moeten de gebruikers beschermen tegen onzorgvuldig gebruik en de gevaren die verbonden zijn met een dergelijk gebruik.
14. Hoewel het apparaat zorgvuldig vervaardigd is en uitvoerig is gecontroleerd alvorens het de fabriek verlaat, geldt net als bij alle elektrische apparaten dat het mogelijk is dat er zich een probleem ontwikkelt. Als u rook, een te grote ophoping van warmte of andere onverwachte verschijnselen opmerkt, dan moet u direct de stekker uit het stopcontact halen.
15. Zorg ervoor dat het apparaat voldoende wordt geventileerd!
Het apparaat moet worden aangesloten op een voedingsbron die overeenkomt met de informatie op het de specificatielabel. Als u niet zeker bent van het type stroomvoorziening in uw huis, neem dan contact op met uw dealer of het plaatselijke elektriciteitsbedrijf.
16. Het stopcontact moet geïnstalleerd zijn in de buurt van het apparaat en eenvoudig bereikbaar zijn.
17. Overbelast stopcontacten of verlengsnoeren niet, dit kan leiden tot brand of elektrische schokken.
18. Klasse 1-apparaten moet worden aangesloten op een stopcontact met een geaarde aansluiting.
19. Apparaten met een klasse II adapter hebben geen geaarde aansluiting nodig.
20. Uit de buurt van knaagdieren houden. Knaagdieren vinden het leuk om in snoeren te bijten.
21. Trek altijd aan de stekker wanneer u de stekker uit het stopcontact haalt. Trek niet aan het netsnoer, dit kan kortsluiting veroorzaken.
22. Plaats het apparaat niet op oppervlakken die kunnen worden onderworpen aan trillingen of schokken.
23. Haal tijdens onweer de stekker uit het stopcontact om het apparaat te beschermen.
24. Haal de stekker voor veiligheidsredenen uit het stopcontact als het apparaat lang niet wordt gebruikt.
25. Gebruik een zachte droge doek om dit apparaat te reinigen. Gebruik geen oplosmiddelen of vloeistoffen op basis van benzine. U kunt een vochtige doek met verdund afwasmiddel gebruiken voor hardnekkige vlekken.
26. Lenco is niet verantwoordelijk voor schade of het verlies van gegevens door storingen, verkeerd gebruik of wijzigingen aan het apparaat.

27. Verbreek de verbinding niet wanneer het apparaat wordt geformatteerd of tijdens de overdracht van bestanden. Als u dit toch doet, dan kunnen gegevens beschadigd raken of verloren gaan.
28. Het apparaat mag niet worden blootgesteld aan druppelend of opspattend water en er mogen geen voorwerpen gevuld met vloeistoffen, zoals vazen, op of in de buurt van het apparaat worden geplaatst.
29. Om de stroom volledig af te sluiten, moet de stekker van het apparaat uit het stopcontact worden gehaald. De stekker is in feite de schakelaarvoorziening van het apparaat.
30. De stekker van het apparaat mag niet worden geblokkeerd of moet gemakkelijk bereikbaar zijn als het apparaat in bedrijf is.
31. Batterijen mogen niet aan overmatige hitte, zoals zonlicht, open vuur e.d., worden blootgesteld.
32. Zorg voor een afstand van tenminste 10 cm rondom het apparaat voor voldoende ventilatie.
33. De ventilatie mag niet worden gehinderd door het bedekken van de ventilatieopeningen met voorwerpen zoals kranten, tafelkleden, gordijnen etc.
34. Er mag geen open vuur, zoals brandende kaarsen, op het apparaat worden geplaatst.
35. Aandacht voor het milieu is nodig bij het verwijderen van de batterijen.
36. Gebruik het apparaat alleen in een gematigd klimaat; extreem koude en warme omgevingen moeten worden vermeden
37. Het typeplaatje vindt u aan de onderkant van het apparaat.
38. Dit apparaat is niet bedoeld voor gebruik door personen (inclusief kinderen) met verminderde lichamelijke, zintuiglijke of geestelijke vermogens, of gebrek aan ervaring en kennis, tenzij zij onder toezicht staan of instructies over het gebruik van het apparaat hebben ontvangen door een persoon die verantwoordelijk is voor hun veiligheid.
39. Dit product is alleen voor huishoudelijk gebruik bedoeld en niet voor commercieel of industrieel gebruik.
40. Verzeker u ervan dat het apparaat in een stabiele positie staat opgesteld. Schade, veroorzaakt door het gebruik van dit product in een onstabiele positie, of door het niet naleven van waarschuwingen of voorzorgsmaatregelen genoemd in deze handleiding, valt niet onder de garantie.
41. Verwijder nooit de behuizing van dit apparaat.
42. Plaats dit apparaat nooit op een ander elektrisch apparaat.
43. Dit product niet gebruiken of opslaan op plaatsen waar het wordt blootgesteld aan direct zonlicht, hitte, buitensporig veel stof of trillingen.
44. Reinig dit product niet met water of andere vloeistoffen.
45. Bedek of blokkeer de gleuven en de gaten in het product niet.
46. Stop geen vreemde voorwerpen in de gleuven of gaten van het product.
47. Geef kinderen geen gelegenheid in aanraking met plastic zakken te komen.
48. Controleer of de spanning op het specificatieplaatje van uw apparaat overeenkomt met het lichtnet in uw huis (specificatieplaatje is te vinden op de achterzijde van het apparaat).
49. Zorg ervoor dat niemand op de voedingskabel kan gaan staan of dat de kabel kan worden ingedrukt, voornamelijk bij stekkers, stopcontacten en het punt waar kabels uit het apparaat komen.
50. Gebruik uitsluitend uitbreidingen/accessoires gespecificeerd door de fabrikant.
51. Laat alle reparaties over aan gekwalificeerd onderhoudspersoneel. Reparatie is vereist wanneer het apparaat op enige wijze beschadigd is geraakt, bijvoorbeeld een beschadigde voedingskabel of stekker, vloeistof of voorwerpen zijn in het apparaat terechtgekomen, het apparaat is blootgesteld aan regen of vocht, het apparaat werkt abnormaal of is gevallen.
52. Gebruik nooit een beschadigde voedingskabel of stekker of een los stopcontact. Dit vormt namelijk een risico op brand of elektrische schokken.
53. Usb-sticks moeten rechtstreeks in het apparaat worden gestoken. Gebruik geen usb-verlengkabels omdat dit kan leiden tot het verlies van gegevens en storingen.

Waarschuwing: langdurige blootstelling aan harde geluiden van persoonlijke muziekspelers kan leiden tot tijdelijk of permanent gehoorverlies.

INSTALLATIE

- Neem alle onderdelen uit de verpakking en verwijder de beschermende materialen.
- Controleer het voltage van uw elektriciteit voor u het apparaat op stroom aansluit en zorg dat alle andere verbindingen eerst gedaan zijn.
- Laat de ventilatiegaten vrij en zorg voor een ruimte van een aantal centimeters rondom het apparaat voor goede ventilatie.



1. Aan/uit-schakelaar

Schakelmodi DC INGANG, AC INGANG of uit.

Wanneer u de schakelaar op AC zet, werkt de speaker op 230V en zal de accu opgeladen worden.

Wanneer u de schakelaar op OFF zet, is er geen stroom en zal de accu niet opgeladen worden.

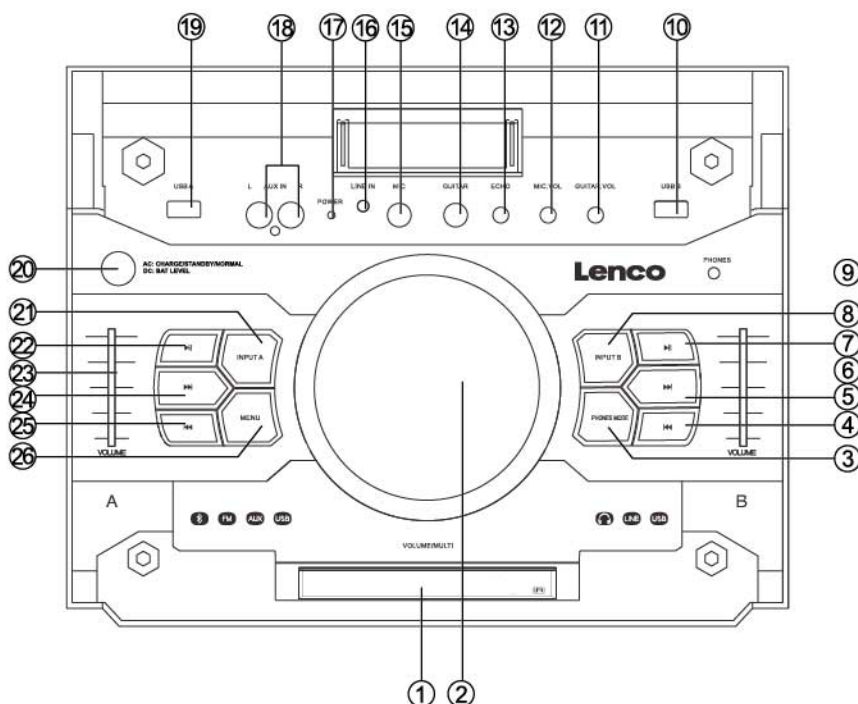
Wanneer u de schakelaar op DC zet, wordt de speaker aangedreven door de accu.

2. DC 12V INGANG

De speaker kan verbonden worden met de 12V DC accu van een auto.

3. FM-ANTENNE

4. AC INGANG AC 230V~, 50Hz



1. LED-SCHERM

Geeft systeem parameterinformatie weer, de linkerkant laat de INVOER A status zien en de rechterkant van het scherm laat de INVOER B status zien

2. VOLUME/MULTI/DJ EFFECT

Draai aan de knop om het primaire volume, hoofdtelefoon volume, de treble en bas aan te passen. Druk deze knop kort in om een ander muziek effect uit te kiezen, zoals SCRATCH, REVERB, BEAT BOX, YEAH, BRING IT, GEYA of COME ON. Lang indrukken speelt een DRUMS effect af.

3. HOOFDTELEFOON MODUS

Druk op deze knop om verschillende HOOFDTELEFOON modi uit te kiezen, zoals INVOER A, INVOER B, INVOER AB

4. INVOER B VORIGE

Druk op deze knop om het vorige nummer met USB B te kiezen

5. INVOER B VOLGENDE

Druk op deze knop om het volgende nummer met USB B te kiezen

6. INVOER B VOLUME

Dit wordt gebruikt om het volume van INVOER B aan te passen

7. INVOER B AFSPELEN/PAUZEREN

Druk op deze knop om muziek met INVOER B af te spelen/pauzeren

Wanneer een USB afspeelt, kunt u door deze knop lang ingedrukt te houden de speeltijd af of op laten tellen.

8. INVOER B MODUS

Druk op deze knop om een andere INVOER B modus te selecteren, zoals LINE of USB B

9. HOOFDTELEFOON AANSLUITING

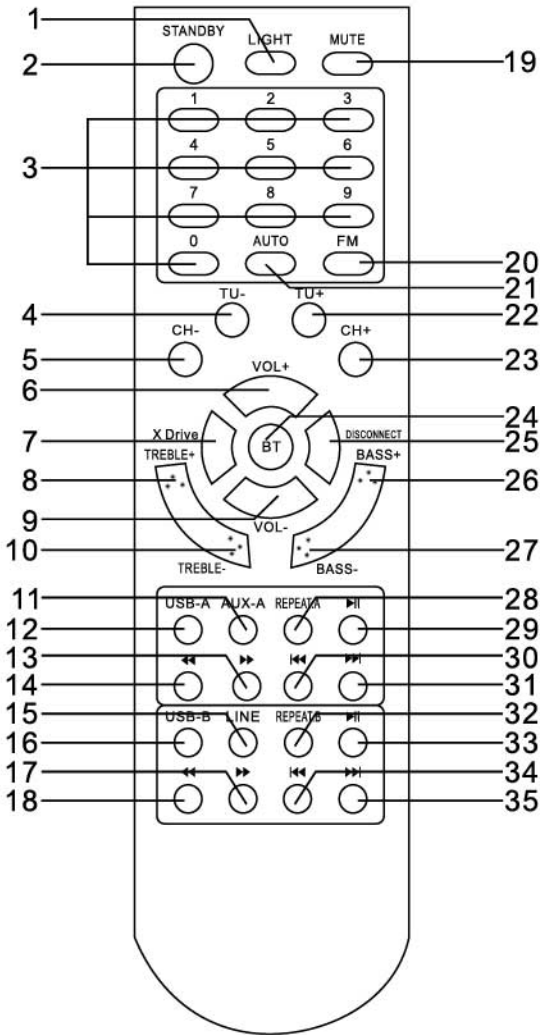
10. USB B invoer aansluiting

11. VOLUME GITAAR

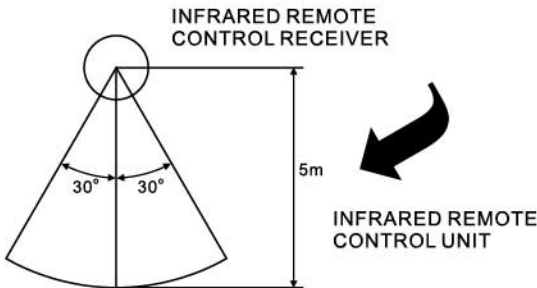
Pas het volume van de GITAAR aan

12. VOLUME MICROFOON

- Pas het volume van de MICROFOON aan
13. ECHO
Pas de ECHO van de MIC invoer aan
 14. GITAAR aansluiting
 15. MICROFOON aansluiting
 16. LINE IN AUDIO INVOER AANSLUITING
Verbind met de LINE IN-sigitaal invoer aansluiting.
 17. DC-voedingslampje
 18. AUX AUDIO INVOER AANSLUITING
Verbind met de AUX-sigitaal invoer aansluiting.
 19. USB A invoer aansluiting
 20. Op AC: OPLADEN/STAND-BY/NORMAAL
Door deze knop lang in te drukken zet u het apparaat aan of in stand-by. Door deze knop kort in te drukken zet u het apparaat in de OPLAAD, STAND-BY of NORMAAL modus
Op DC: ACCUNIVEAU
Als u deze knop indrukt wordt het huidige accuniveau weergegeven.
 21. INVOER A MODUS
Druk deze knop in om een andere INVOER A modus te kiezen, zoals AUX A, BT A, FM, USB A
 22. INVOER A AFSPLELEN/PAUZEREN
Druk op deze knop om muziek met INVOER A af te spelen/pauzeren
Wanneer een USB afspeelt, kunt u door deze knop lang ingedrukt te houden de speeltijd af of op laten tellen.
 23. INVOER A VOLUME
Dit wordt gebruikt om het volume van INVOER A aan te passen
 24. INVOER A VOLGENDE
Druk op deze knop om het volgende nummer met USB A te kiezen
 25. INVOER A VORIGE
Druk op deze knop om het vorige nummer met USB A te kiezen
 26. MENU
Deze schakelaar selecteert het primaire volume, de bas, treble, x driver en licht modus



1. LICHT
2. STAND-BY
3. NUMERIEKE TOETSEN
4. AFSTEMMEN-
5. KANAAL-
6. VOLUME+
7. X DRIVE
8. TREBLE+
9. VOLUME-
10. TREBLE-
11. AUX-A
12. USB-A
13. USB-A DOORSPOELEN ►►
14. USB-A TERUGSPOELEN ◄◄
15. LINE
16. USB-B
17. USB-B DOORSPOELEN ►►
18. USB-B TERUGSPOELEN ◄◄
19. DEMP
20. FM
21. AUTO
22. AFSTEMMEN+
23. KANAAL+
24. BT
25. VERBINDING VERBREKEN
26. BAS+
27. BAS-
28. INVOER-A HERHALEN
29. INVOER-A PAUZEREN ►|
30. INVOER-A VORIGE ◄◄
31. INVOER-A VOLGENDE ►►|
32. INVOER-B HERHALEN
33. INVOER-B PAUZEREN ►|
34. INVOER-B VORIGE ◄◄
35. INVOER-B VOLGENDE ►►|



AFSTANDSBEDIENING:

- Als de afstandsbediening verstoord wordt door andere apparaten, zal het gebruik hierdoor beïnvloedt worden.
- Druk niet gelijktijdig knoppen op het apparaat en de afstandsbediening in.
- Vermijd het gelijktijdig gebruiken van twee afstandsbedieningen, aangezien dit een storing zal veroorzaken.
- Gebruik alleen UM-4 'AAA' batterijen. Gebruik geen oude en nieuwe batterijen naast elkaar.
- Als de batterijen lekken, maak de afstandsbediening dan grondig schoon voordat u de batterijen vervangt
- Verbind twee kanten van de batterijen niet met elkaar. Gooi oude batterijen weg op de daarvoor bestemde plek.

NORMALE FUNCTIE

1. Zet de aan/uit-schakelaar op de achterkant van de speaker op de AC of DC modus.
2. Selecteer een geluidsbron door op de INVOER A knop te drukken op het voorpaneel om AUX A, BT A, FM en USB A weer te geven. Druk op de INVOER B knop op het voorpaneel om LINE en USB B weer te geven.

Wanneer het apparaat in de AC modus staat:

- Wanneer u een keer op de stand-by knop drukt, zal u de oplaadmodus activeren en de oplaadstatus van de accu wordt weergegeven op het blauwe led-scherm.
- Een tweede keer op de stand-by knop drukken zal de speaker activeren en een groen oplaadlichtje laten zien.
- U kunt ook de stand-by modus selecteren zonder de accu op de laden

Wanneer het apparaat in de DC modus staat:

- Als u op de stand-by knop drukt, ziet u het accuniveau op het blauwe led-scherm
3. Draai aan de VOLUME/MULTI/DJ EFFECT knop op het besturingspaneel of druk op de VOL+/- knoppen op de afstandsbediening om het primaire volume aan te passen. Pas vervolgens de volumeschuifregelaar van INVOER A aan en gebruik de rechter volumeschuifregelaar om het volume van INVOER B aan te passen.
 4. Om de bas, treble, X-drive, speakerlichten en het primaire volume aan te passen, drukt u op de menu-knop om bas, treble, X-drive of speakerlichten te selecteren en vervolgens draait u aan de grote VOLUME/MULTI/DJ EFFECT knop.
 5. HOOFDTELEFOON UITVOER selectie. Druk op de PHONES MODE knop op het besturingspaneel om INPUT A (INVOER A), INPUT B (INVOER B) of INPUT AB (INVOER AB) weer te geven en pas het volume van A, B of AB aan door aan de multi DJ effect knop te draaien.
 6. Druk op de LIGHT knop op de afstandsbediening of druk op de MENU knop op het voorpaneel totdat de speaker licht modus weergegeven is. Draai vervolgens aan de VOLUME/MULTI/DJ EFFECT knop om de OFF (UIT), R,G,B, RG, RB, GB, RGB, AUTO, DEMO licht modus te selecteren.
 7. Druk op de MUTE knop op de afstandsbediening om het geluid te dempen en nog een keer om dit ongedaan te maken.
 8. Druk op de X DRIVE knop op de afstandsbediening om het X-Bas effect in/uit te schakelen.

SPEAKER LICHTKLEUR BESTURINGSOPTIES

- R = rode lichten knipperen
- G = groene lichten knipperen
- B = blauwe lichten knipperen
- RG = rode en groene lichten knipperen RB = rode en blauwe lichten knipperen GB = groene en blauwe lichten knipperen
- RGB = rode, groene en blauwe lichten knipperen
- Auto = de verschillende kleurcombinaties worden willekeurig geselecteerd en knipperen.
- Demo = lichten knipperen en veranderen van kleur, net alsof ze reageren op de beat van de muziek.

AFSTEM APPLICATIES

1. Voordat u de radiofuncties gebruikt, moet u eerst de antenne aanpassen om een optimaal ontvangst te krijgen.
Druk op de INVOER A knop op het voorpaneel of de FM knop op de afstandsbediening om de "FM" functie te selecteren.
2. Druk op de AUTO knop op de afstandsbediening of de afspeelknop van het INVOER A besturingspaneel.
Het apparaat zal automatisch lage tot hoge radiofrequenties scannen en de gevonden kanalen een voor een opslaan.
3. Druk op de CH+/CH- knop op de afstandsbediening om te schakelen tussen de radiokanalen die opgeslagen zijn.
4. Druk op of houdt de TU+/TU- knop op de afstandsbediening ingedrukt om de radiofrequentie handmatig aan te passen.
5. Om radiostations vanaf het besturingspaneel te selecteren, houdt u de volgende/vorige knoppen ingedrukt.

KARAOKE EN GITAAR FUNCTIE

1. Het apparaat kan automatisch detecteren of een MICROFOON of GITAAR verbonden is.
Zet het geluid van het microfoon volume uit met de MIC.VOL knop op het voorpaneel en pas het volume geleidelijk aan nadat u de microfoon verbonden heeft. **Opmerking: De PMX-350 wordt geleverd met een draadloze microfoon die op 2 type AA batterijen werkt (niet inbegrepen). Wanneer u de knop op "AAN" schakelt, kunt u in de microfoon spreken en het volume en echoniveau aanpassen op het bedieningspaneel.**
2. Draai aan de ECHO knop op het voorpaneel om de ECHO van de microfoon aan te passen.
3. Draai aan de GUITAR VOL knop op het voorpaneel om het VOLUME van de gitaar aan te passen.

Opmerking: Raak de bovenkant van de microfoon niet aan tijdens het zingen om het jankende effect te voorkomen.

Pas het volume van de microfoon geleidelijk aan om het jankende effect te voorkomen.

BLUETOOTH KOPPELEN EN VERBINDEN

- Schakel alle Bluetooth apparaten uit die u voorheen gekoppeld (verbonden) heeft met dit apparaat.
- Activeer de Bluetooth functie op uw telefoon of muzikspeler.
- Zet dit apparaat aan en stel deze in op de Bluetooth modus. Het knipperende blauwe "BT" licht op het LED-scherm geeft aan dat de koppelmodus geactiveerd is.
- Zoek met uw telefoon of muzikspeler naar Bluetooth apparaten.
- Selecteer 'PMX-350' in de zoekresultaten van uw telefoon of muzikspeler.
- Selecteer OK (OKÉ) of YES (JA) om dit apparaat met uw telefoon of muzikspeler te verbinden.
- Voer 0000 in als er om een wachtwoord gevraagd wordt en een vast blauw licht geeft aan dat de verbinding gelukt is.
- Druk op de DISCONNECT knop op de afstandsbediening om de Bluetooth verbinding te verbreken.

FUNCTIE VAN DE USB-LEZER

USB-interface

Dit apparaat heeft twee USB aansluitingen. Druk op de INVOER A knop om USB A te selecteren en vervolgens kunt u een USB-stick verbinden om muziek af te spelen. Druk op de INVOER B knop om USB B te selecteren en vervolgens kunt u nog een USB-stick verbinden om muziek af te spelen.

Belangrijk: De USB-poort is alleen bedoeld voor het versturen van data, andere apparaten kunnen niet gebruikt worden met de USB-verbinding. Het gebruik van USB-verlengkabels raden we af.

TIJDWEERGAVE

In de USB modus kan het scherm zowel de verstreken als resterende tijd weergeven.

Door de afspelen/pauzeren knop lang ingedrukt te houden, kunt u schakelen tussen een negatieve of positieve tijdweergave.

DE ACCU OPLADEN

1. De stand-by kan niet gebruikt worden wanneer het apparaat aangedreven wordt door de accu.
2. Het besturingspaneel heeft een oplaadlichtje. Wanneer de accu voldoende opgeladen is, is het lichtje groen.
Wanneer de accu bijna leeg is, zal er 'LOW POWER' (ACCU BIJNA LEEG) op het scherm verschijnen en het lichtje wordt rood.

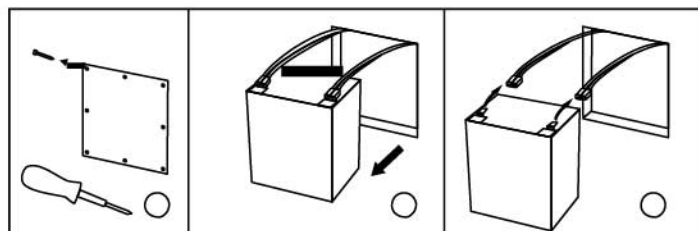
OM DE LEVENSDUUR VAN DE INTERNE BATTERIJ TE BESCHERMEN:

Wanneer de accu leeg is, zet dan onmiddellijk de POWER knop op de achterkant van het toestel op OFF om het levensduur van de accu te beschermen, of op AC om deze opnieuw op te laden.

Opgelet: Lenco is niet verantwoordelijk voor schade door verkeerd gebruik en de accu wordt niet gedekt door de waarborg.

ACCU VERWIJDEREN

1. Verwijder de schroeven op het achterpaneel.
2. Haal de accu eruit.
3. Ontkoppel de accu



ACCESSOIRES

Afstandsbediening	1 st
Handleiding	1 st
Draadloze microfoon	1 st
AC stroomkabel	1 st

	SPECIFICATIE
Frequentiebereik	20Hz-20KHz
Voedingsbron	230V~, 50Hz/12VDC
Stroomverbruik	120W
Accu	Lood/zuur 12VDC, 7 Ah
DC Gebruikstijd	~12u bij 50% volume
Totaal vermogen	320W (RMS)
Microfoon	Draadloos 864 MHz
Bluetooth	V4.2
FM-radio	87,5-108 MHz
Afmetingen (B x D x H)	43 x 28 x 115 cm
Tweeter afmeting	2,54 x 2,54 cm
Woofer afmeting	2,54 x 7,62 cm
Subwoofer afmeting	5,08 x 30,48 cm
Gewicht van het apparaat	29,2 kg
Gebruikstemperatuur	10-40 °C

- De specificatie fungeert alleen als een referentie. Het gewicht en de afmetingen zijn gemiddelden.
- Ons product wordt continu verbeterd en de specificaties en functies kunnen zonder voorafgaande kennisgeving aangepast worden.

Opmerking (Voor gebruik van de draadloze microfoon)

Dit product werkt met een frequentie van **864 MHz** en is alleen bedoeld voor gebruik binnen een normale huishoudelijke omgeving. Dit product is geschikt voor dit doel in de meeste EU-landen.

De gebruiker zou de toegestane frequenties van het land waar het apparaat gebruikt zal worden moeten controleren.

(Meer informatie kan gevonden worden op: <https://www.apwpt.org>)

De gebruiker is verantwoordelijk voor het gebruik van dit apparaat. Lenco kan niet aansprakelijk gesteld worden als dit apparaat gebruikt wordt voor andere doeleinden dan degene die in deze handleiding zijn beschreven.

Garantie

Lenco biedt service en garantie aan overeenkomstig met de Europese wetgeving. Dit houdt in dat u, in het geval van reparaties (zowel tijdens als na de garantieperiode), uw lokale handelaar moet contacteren.

Belangrijke opmerking: Het is **niet** mogelijk om producten die moeten worden gerepareerd rechtstreeks naar Lenco te sturen.

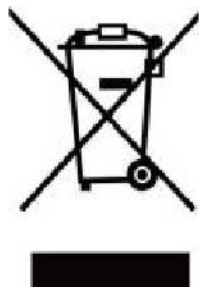
Belangrijke opmerking: De garantie verloopt als een onofficieel servicecenter het apparaat op wat voor manier dan ook heeft geopend, of er toegang toe heeft gekregen.

Het apparaat is niet geschikt voor professioneel gebruik. In het geval van professioneel gebruik worden alle garantieverplichtingen van de fabrikant nietig verklaard.

Disclaimer

Er worden regelmatig updates in de firmware en/of hardwarecomponenten gemaakt. Daardoor kunnen gedeelten van de instructie, de specificaties en afbeeldingen in deze documentatie enigszins verschillen van uw eigen situatie. Alle onderwerpen die staan beschreven in deze handleiding zijn bedoeld als illustratie en zijn niet van toepassing op specifieke situaties. Aan de beschrijving in dit document kunnen geen rechten worden ontleend.

Afvoer van het oude apparaat



Dit symbool geeft aan dat het betreffende elektrische product of de accu/batterij niet mag worden verwijderd als algemeen huishoudelijk afval in Europa. Zorg voor een juiste afvalverwerking door het product en de accu/batterij in overeenstemming met alle van toepassing zijnde lokale wetten voor het verwijderen van elektrische apparatuur of accu's/batterijen te verwijderen. Als u dit doet, helpt u de natuurlijke hulpbronnen te behouden en de standaard van milieubescherming te verbeteren bij de behandeling en verwijdering van elektrisch afval (Afgedankte Elektrische en Elektronische Apparatuur).

Service

Bezoek voor meer informatie en helpdeskondersteuning www.lenco.com

Lenco Benelux BV, Thermiekstraat 1a, 6361 HB, Nuth, Nederland.

ACHTUNG:

Steuerungen, einstellungen, oder die durchführung von abläufen, die nicht in diesem handbuch beschrieben werden, können zu gefährlicher strahlenbelastung führen.

Dieses gerät darf nur von qualifizierten wartungskräften modifiziert oder repariert werden.

SICHERHEITSVORKEHRUNGEN

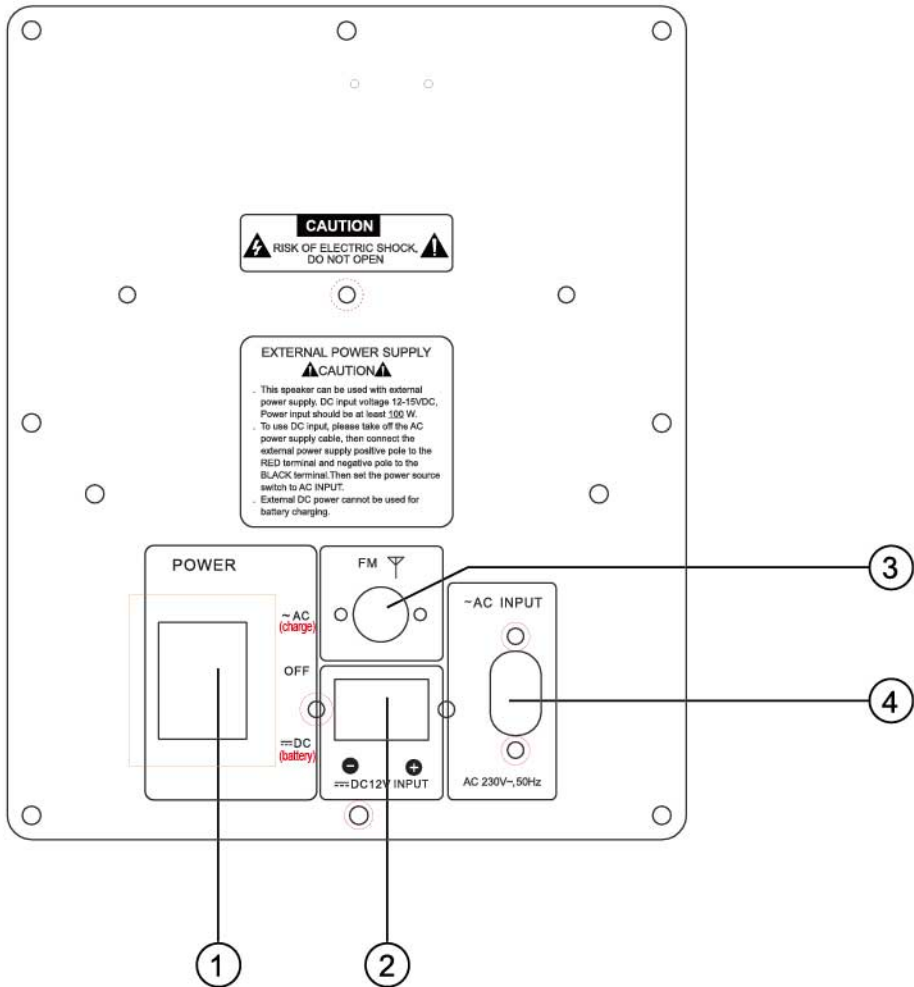
1. Nur mit einem leicht angefeuchteten tuch reinigen.
2. Belüftungsöffnungen nicht abdecken oder blockieren. Wenn sie das tablet in einem regal aufstellen, lassen sie 5 cm (2") platz um das tablet herum.
3. Installieren sie das tablet anhand der anleitungen im mitgelieferten handbuch.
4. Nicht auf das netzkabel treten. Netzkabel nicht einklemmen. Besondere vorsicht ist an den steckern und dort geboten, wo das kabel aus dem gerät austritt. Keine schweren gegenstände auf das kabel stellen, um das kabel nicht zu beschädigen. Tablet von kindern fernhalten! Falls kinder mit dem netzkabel spielen, können sie sich ernsthafte verletzungen zufügen.
5. Ziehen sie während gewitters und längeren zeiten des nichtgebrauchs den stecker.
6. Tablet von wärmequellen wie heizkörpern, heizungen, öfen, kerzen und anderen wärmeerzeugenden geräten fernhalten.
7. Gerät nicht in der nähe von starken elektromagnetischen feldern verwenden.
8. Elektrostatische entladung kann den normalen betrieb des geräts stören. Setzen sie das tablet in solch einem fall zurück und führen sie einen neustart durch; siehe handbuch. Während der übertragung von dateien das tablet mit vorsicht handhaben und in einer anti-statischen umgebung verwenden.
9. Warnung! Keine gegenstände in belüftungsschlitz und öffnungen stecken. Durch das gerät fließt hochspannung. Das eindringen von gegenständen kann einen stromschlag und/oder einen kurzschluss an den inneren teilen verursachen. Aus den gleichen gründen weder wasser noch andere flüssigkeiten über dem gerät ausschütten.
10. Nicht in nassen oder feuchten umgebungen, wie in badezimmern, garküchen oder in der nähe von schwimmbekken verwenden.
11. Dieses tablet nicht verwenden, wenn kondensation auftreten könnte.
12. Dieses gerät wurde allen geltenden sicherheitsvorschriften entsprechend hergestellt. Die folgenden hinweise sind dazu gedacht, den benutzer auf vorhandene gefahren hinzuweisen und vor fahrlässiger benutzung zu warnen.
13. Obwohl dieses gerät mit grösster sorgfalt hergestellt und bevor es das werk verlassen hat, mehrfach geprüft wurde, ist es möglich, dass, wie bei allen elektrogeräten, probleme auftreten können. Bei rauchbildung, überhitzung oder anderen unerwartet auftretenden erscheinungsbildern, ziehen sie bitte umgehend den netzstecker aus der steckdose heraus.
14. Dieses gerät muss jeder zeit ausreichend belüftet werden!
15. Das gerät muss mit einer stromversorgung betrieben werden, die den angaben auf dem typenschild entspricht. Falls sie sich nicht sicher über die spezifikationen ihres netzstroms sind, wenden sie sich bitte an ihren händler oder ihren stromnetzbetreiber.
16. Die steckdose muss sich in bereich des geräts befinden und leicht zugänglich sein.
17. Vermeiden sie die überlastung von steckdosen oder verlängerungskabeln. Eine überlastung kann zu feuer- und stromschlaggefahr führen.
18. Geräte der schutzklasse 1 müssen an eine steckdose mit erdungskontakt angeschlossen werden.
19. Geräte mit einem klasse-ii-netzadapter müssen nicht an geerdete steckdosen angeschlossen werden.
20. Halten sie nagetiere fern. Nagetiere geniessen es in elektrische leitungen zu beißen.
21. Halten sie den netzstecker mit der hand fest, wenn sie ihn aus der steckdose herausziehen. Ziehen sie nicht am netzkabel. Dies kann einen kurzschluss verursachen.
22. Vermeiden sie es das gerät auf oberflächen aufzustellen, die vibrationen oder stößen ausgesetzt werden können.
23. Um das gerät während eines gewitters zu schützen, ziehen sie bitte das netzkabel aus der steckdose heraus.
24. Wenn sie das gerät längere zeit nicht verwenden, ziehen sie das ac netzkabel aus sicherheitsgründen aus der steckdose.
25. Reinigen sie das gerät mit einem weichen, trockenen tuch. Verwenden sie keine lösungsmittel oder benzinhaltigen flüssigkeiten. Starke verschmutzungen können sie mit einem feuchten lappen und etwas verdünntem reiniger entfernen.

26. Der lieferant haftet nicht für schäden oder datenverluste aufgrund von fehlfunktionen, missbrauch, modifikationen am gerät oder batteriewechseln.
27. Trennen sie die verbindung nicht während der formatierung oder der übertragung von dateien. Anderenfalls könnten daten beschädigt werden oder verlorengehen.
28. Das gerät darf weder spritz- noch tropfwasser ausgesetzt werden und keinerlei mit flüssigkeit gefüllten gefässe, wie z.b. vasen, dürfen auf oder nanuom gerät platziert werden.
29. Um das gerät komplett vom stromnetz zu trennen, sollen se der netzstecker aus der netzsteckdose ziehen. Die zu trennende einheit ist der netzstecker des gerätes.
30. Der netzstecker des gerätes darf nicht verbaut werden bzw. Muss während der nutzungszeit problemlos erreichbar sein.
31. Die batterie darf keiner extremen hitze wie z. B. Sonnenschein, feuer o.ä. ausgesetzt werden.
32. Halten sie einen mindestabstand von 10 cm zur umgebung ein, um eine ausreichende belüftung sicherzustellen.
33. Die ventilation darf nicht durch abdecken der ventilationsöffnungen durch gegenstände wie zeitung, tischdecken, gardinen o.ä. behindert werden.
34. Es dürfen keine offenen flammen wie z.b. brennende kerzen auf dem gerät platziert werden.
35. Bei der batterieentsorgung sind die entsorgungsvorschriften einzuhalten.
36. Benutzen sie das gerät nur bei normalen umgebungstemperaturen und vermeiden sie extrem kalten und warmen orten.
37. Das typenschild finden sie auf der unterseite des gerätes.
38. Das gerät sollte nicht von kindern oder personen mit eingeschränkten körperlichen oder geistigen fähigkeiten bzw. Unter reizarmut leiden, benutzt werden. Personen mit einem mangel an erfahrung oder wissen sollten das gerät nur unter aufsicht oder vorherige einweisung durch eine person benutzen, die die verantwortung für alle beteiligten übernimmt;
39. Dieses produkt ist nur für den hausgebrauch und nicht für gewerbliche oder industrielle zwecke bestimmt.
40. Stellen sie sicher, dass das gerät in einer stabilen position aufgestellt ist. Schäden, die durch verwendung dieses produkts in einer instabilen position oder durch nichtbeachtung in diesem handbuch enthaltener anderer warnungen und vorwarnung entstehen, sind nicht durch die garantie gedeckt.
41. Entfernen sie niemals das gehäuse dieses geräts.
42. Stellen sie dieses gerät niemals auf andere elektrische geräte.
43. Verwenden oder bewahren sie dieses produkt nicht an orten auf, in denen es direkter sonneneinstrahlung, hitze, übermässigem staub oder vibration ausgesetzt ist.
44. Reinigen sie dieses produkt nicht mit wasser oder anderen flüssigkeiten.
45. Blockieren sie nicht die schlitze und öffnungen in diesem produkt.
46. Schieben sie keine fremdkörper in die schlitze und öffnungen in diesem produkt.
47. Ermöglichen sie kindern nicht den zugriff auf plastiktüten.
48. Vergewissern sie sich, dass die spannungsangaben auf dem typenschild des geräts mit der spannungsversorgung in ihrem haushalt übereinstimmen (das typenschild befindet sich an der rückseite des geräts).
49. Verhindern sie, dass das netzkabel eingequetscht oder darauf getreten wird, und zwar insbesondere an den steckern, steckdosen und an der stelle, an der das kabel aus dem gerät austritt.
50. verwenden sie nur vom hersteller vorgegebenes zubehör.
51. Sprechen sie alle eingriffe mit qualifiziertem fachpersonal ab. Reparaturen sind erforderlich, falls das gerät (z.b. netzkabel oder stecker) beschädigt wurde, flüssigkeiten oder fremdkörper in das gerät eingedrungen sind, das gerät regen oder feuchtigkeit ausgesetzt war, es nicht richtig funktioniert oder fallengelassen wurde.
52. Verwenden sie weder ein beschädigtes netzkabel noch einen beschädigten stecker oder eine lockere steckdose. Es besteht brand- und stromschlaggefahr.
53. Schliessen sie usb-sticks direkt an das gerät an. Verwenden sie keine usb-verlängerungskabel, da dadurch störungen verursacht und daten beschädigt werden können.

Warnung: eine langfristige belastung durch laute musik von musikspielern kann vorübergehend oder permanent zu gehörschäden führen.

INSTALLATION

- Alle komponenten auspacken und das schutzmaterial entfernen.
- Netzspannung überprüfen und alle anderen verbindungen herstellen, bevor sie das gerät ans stromnetz anschliessen.
- Die belüftungsöffnungen nicht blockieren. Achten sie darauf, dass um das gerät herum mehrere zentimeter freier platz ist.



1. Ein/Aus-Schalter

Schaltermodi: BATTERIEBETRIEB, NETZBETRIEB oder aus.

Wenn Sie den Schalter auf AC stellen, dann wird der Lautsprecher mit 230 V Netzspannung betrieben und die Batterie aufgeladen.

Wenn Sie den Schalter auf OFF stellen, dann ist der Lautsprecher ausgeschaltet und die Batterie wird nicht aufgeladen.

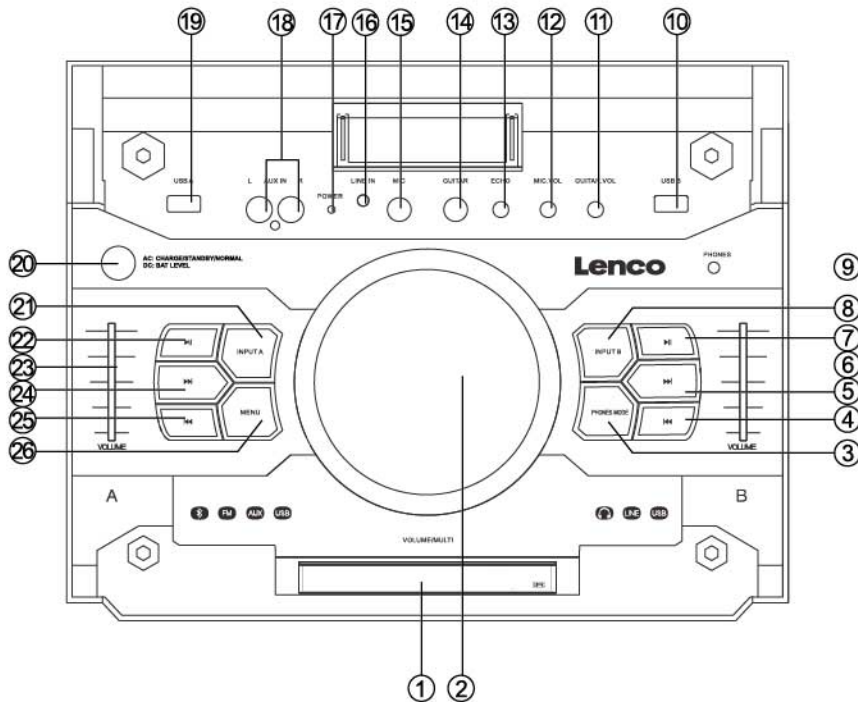
Wenn Sie den Schalter auf DC stellen, dann wird der Lautsprecher über Batterie betrieben.

2. GLEICHSPANNUNGSEINGANG 12 V

Der Lautsprecher kann an das 12-V-Bordnetz von Autos angeschlossen werden.

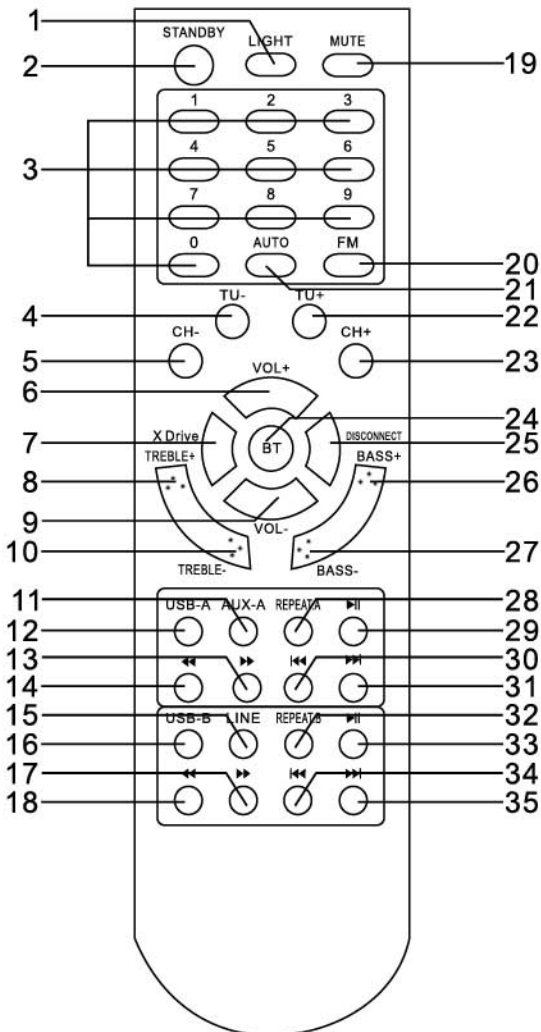
3. UKW-ANTENNE

4. WECHSELSPANNUNGSEINGANG 230 V/50 Hz

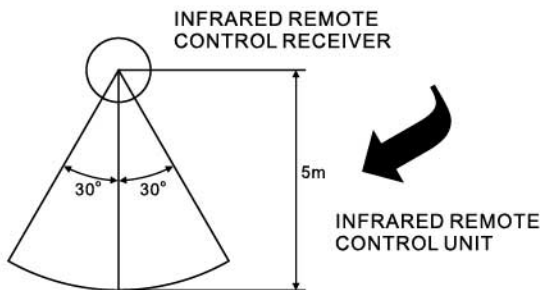


1. **LED-Display**
Das Display zeigt Ihnen Informationen über Systemparameter an – auf der linken Seite des Displays wird der Status von EINGANG A, auf der rechten der von EINGANG B angezeigt.
2. **LAUTSTÄRKE/MULTI/DJ-EFFEKT**
Drehen Sie den Drehregler, um Gesamtlautstärke, Kopfhörerlautstärke, Höhen und Bässe einzustellen. Drücken Sie diese Taste kurz, um die verschiedenen Musikeffekte SCRATCH, REVERB, BEAT BOX, YEAH, BRING IT, GEYA, COME ON auszuwählen. Drücken Sie diese zur Auswahl der SCHLAGZEUGEFFEKTE lang.
3. **KOPFHÖRERMODUS**
Drücken Sie diese Taste, um zwischen den Kopfhörermodi EINGANG A, EINGANG B und EINGANG AB auszuwählen.
4. **EINGANG B VORHERIGER**
Drücken Sie diese Taste, um den vorherigen Titel für USB B zu wählen.
5. **EINGANG B NÄCHSTER**
Drücken Sie diese Taste, um den nächsten Titel für USB B zu wählen.
6. **LAUTSTÄRKE EINGANG B**
Stellen Sie hiermit die Lautstärke für EINGANG B ein.
7. **WIEDERGABE/PAUSE EINGANG B**
Drücken Sie diese Taste, um die Musikwiedergabe von EINGANG B zu starten oder zu pausieren. Drücken Sie während der USB-Wiedergabe diese Taste lang, um die Anzeige der Wiedergabezeit aufwärts oder abwärts zählend einzustellen.
8. **MODUS EINGANG B**
Drücken Sie diese Taste, um entweder LINE oder USB B als Eingangsmodi für EINGANG B auszuwählen.
9. **BUCHSE KOPFHÖREREINGANG**

10. USB-PORT für EINGANG USB B
11. GITARRENLAUTSTÄRKE
Stellen Sie hier die Lautstärke Ihrer GITARRE ein.
12. MIKROFONLAUTSTÄRKE
Stellen Sie hier die Lautstärke des MIKROFONS ein.
13. ECHO
Stellen Sie hier das ECHO für den MIKROFONEINGANG ein.
14. GITARRENBUCHSE
15. MIKROFONBUCHSE
16. AUDIOEINGANGSBUCHSE LINE-IN
Schließen Sie hier das LINE-IN-Signal einer Audioquelle an.
17. **DC-Betriebsanzeige-LED**
18. AUDIOEINGANGSBUCHSE AUX
Schließen Sie hier das AUX-OUT-Signal einer Audioquelle an.
19. USB-PORT für EINGANG USB A
20. Bei Wechselspannung: AUFLADEN/STANDBY/NORMAL
Drücken Sie diese Taste lang, um in den Standby-Modus zu wechseln oder das Gerät einzuschalten.
Durch kurzes Drücken der Taste können Sie in den AUFLADE-, STANDBY- oder NORMALBETRIEB wechseln.
Bei BATTERIEBETRIEB: BATTERIELADUNG
Wenn Sie diese Taste kurz drücken, wird die aktuelle Batterieladung angezeigt.
21. MODUS EINGANG A
Drücken Sie diese Taste, um zwischen den Modi für EINGANG A auszuwählen – AUX A, BLUETOOTH A, UKW, USB A.
22. WIEDERGABE/PAUSE EINGANG A
Drücken Sie diese Taste, um die Musikwiedergabe von EINGANG A zu starten oder zu pausieren.
Drücken Sie während der USB-Wiedergabe diese Taste lang, um die Anzeige der Wiedergabezeit aufwärts oder abwärts zählend einzustellen.
23. LAUTSTÄRKE EINGANG A
Stellen Sie hiermit die Lautstärke für EINGANG A ein.
24. EINGANG A NÄCHSTER
Drücken Sie diese Taste, um den nächsten Titel für USB A zu wählen.
25. EINGANG A VORHERIGER
Drücken Sie diese Taste, um den vorherigen Titel für EINGANG USB A zu wählen.
26. MENÜ
Mit dieser Taste wählen Sie die Gesamtlautstärke, Bässe, Höhen, X-Drive und Lichtmodus aus.



1. LICHT
2. STANDBY
3. ZIFFERTASTEN
4. ABSTIMMEN –
5. KANAL –
6. LAUTSTÄRKE +
7. X-DRIVE
8. HÖHEN +
9. LAUTSTÄRKE –
10. HÖHEN –
11. AUX-A
12. USB-A
13. USB-A VORSPULEN ►►
14. USB-A ZURÜCKSPULEN ◄◄
15. LINE
16. USB-B
17. USB-B VORSPULEN ►►
18. USB-B ZURÜCKSPULEN ◄◄
19. STUMM
20. UKW
21. AUTOMATISCH
22. ABSTIMMEN +
23. KANAL +
24. BLUETOOTH
25. TRENNEN
26. BASS +
27. BASS –
28. INPUT-A WIEDERHOLUNG
29. INPUT-A PAUSE ►|
30. INPUT-A VORHERIGER ◄◄
31. INPUT-A NÄCHSTER ►►
32. INPUT-B WIEDERHOLUNG
33. INPUT-B PAUSE ►|
34. INPUT-B VORHERIGER ◄◄
35. INPUT-B NÄCHSTER ►►



BEDIENUNG FERNBEDIENUNG:

- Wenn die Fernbedienung in Konflikt mit anderen Geräten steht, wirkt sich dies negativ auf die Bedienung auf.
- Drücken Sie nicht gleichzeitig Tasten am Gerät und auf der Fernbedienung.
- Benutzen Sie 2 Fernbedienungen nicht zur selben Zeit, weil dies zu Fehlfunktionen führt.
- Verwenden Sie nur UM-4 Batterien (Typ AAA). Verwenden Sie gebrauchte und neue Batterien nicht zusammen.
- Wenn eine Batterie ausgelaufen ist, dann reinigen Sie die Fernbedienung gründlich, bevor Sie neue Batterien einsetzen.
- Schalten Sie die beiden Batteriepole nicht kurz. Entsorgen Sie verbrauchte Batterien vorschriftsmäßig.

NORMALBETRIEB

1. Wählen Sie über den Ein/Aus-Schalter auf der Rückseite des Lautsprechers entweder den AC- (Netzbetrieb) oder den DC-Modus (Batteriebetrieb) aus.
2. Wählen Sie durch Drücken der Taste EINGANG A auf der Vorderseite des Lautsprechers eine Audioquelle aus. Auf der Anzeige erscheint AUX A, BT A (Bluetooth A), FM (UKW) oder USB A. Drücken Sie für die Auswahl und Anzeige von LINE oder USB B die Taste EINGANG B auf der Vorderseite des Lautsprechers.

Lautsprecher im Netzbetrieb:

- Drücken Sie die Taste Standby einmal, um den Lademodus zu aktivieren. Auf dem blauen LED-Display wird das Statussymbol für das Batterieladen angezeigt.
- Wenn Sie die Taste ein zweites Mal drücken, dann schaltet sich der Lautsprecher ein und die grüne Lade-LED leuchtet auf.
- Sie können ebenfalls den Standby-Modus auswählen, ohne die Batterie aufladen zu lassen.

Lautsprecher im Batteriebetrieb:

- Wenn Sie die Taste Standby drücken, dann wird auf dem blauen LED-Display der Zustand der Batterieladung angezeigt.
3. Drehen Sie den Drehregler VOLUME/MULTI/DJ EFFECT der Bedieneinheit oder drücken Sie die Taste VOL+/- auf der Fernbedienung, um die Gesamtlautstärke einzustellen. Stellen Sie dann mit dem Lautstärke-Schieberegler die Lautstärke für EINGANG A ein und verwenden Sie den rechten Lautstärke-Schieberegler, um die Lautstärke von EINGANG B zu ändern.
 4. Drücken Sie die Taste MENU, um Bass, Höhen, X-Drive, Lautsprecherlicht und Gesamtlautstärke auszuwählen und mit dem Drehregler VOLUME/MULTI/DJ EFFECT einzustellen.
 5. Auswahl KOPFHÖRERAUSGANG. Drücken Sie die Taste PHONES MODE der Bedieneinheit, bis INPUT A, INPUT B oder INPUT AB angezeigt wird und stellen Sie anschließend mit dem Drehregler VOLUME/MULTI/DJ EFFECT die Lautstärke ein.
 6. Drücken Sie die Taste LIGHT auf der Fernbedienung oder die Taste MENU der Bedieneinheit, bis der Modus speaker light (Lautsprecherlicht) angezeigt wird und wählen Sie anschließend mit dem Drehregler VOLUME/MULTI/DJ EFFECT einen der Lichtmodi OFF (aus), R, G, B, RG, RB, GB, RGB, AUTO oder DEMO aus.
 7. Drücken Sie für eine Stummschaltung die Taste MUTE auf der Fernbedienung. Drücken Sie diese Taste noch einmal, um die Stummschaltung wieder aufzuheben.
 8. Drücken Sie X DRIVE auf der Fernbedienung, um den X-Bass ein- oder auszuschalten.

OPTIONEN FÜR DIE LAUTSPRECHER-LICHTFARBENSTEUERUNG

- R = rot blinkendes Licht
- G = grün blinkendes Licht
- B = blau blinkendes Licht
- RG = rot und grün blinkendes Licht RB = rot und blau blinkendes Licht GB = grün und blau blinkendes Licht
- RGB = rot, grün und blau blinkendes Licht
- Auto = zyklisches Durchlaufen verschiedener blinkender Farbkombinationen
- Demo = das Licht blinkt und ändert die Farbe, als ob es auf den Rhythmus der Musik reagieren würde.

TUNERBEDIENUNG

1. Bevor Sie die Radiofunktionen benutzen können, müssen Sie für einen optimalen Empfang die Antenne einstellen.
Drücken Sie die Taste EINGANG A der Bedieneinheit oder die Taste FM auf der Fernbedienung, um die Funktion „FM“ (UKW) auszuwählen.
2. Drücken Sie die Taste AUTO auf der Fernbedienung oder die Wiedergabetaste für EINGANG A der Bedieneinheit.
Der Lautsprecher scannt nun automatisch aufwärts nach Radiosendern und speichert nacheinander alle gefundenen Radiosender ab.
3. Drücken Sie die Taste CH+/CH– auf der Fernbedienung, um zwischen den eben abgespeicherten Radiosender zu wechseln.
4. Halten Sie die Taste TU+/TU– auf der Fernbedienung gedrückt, um die Radiofrequenz manuell einzustellen.
5. Halten Sie die Taste NEXT/PREV gedrückt, um Radiosender über die Bedieneinheit auszuwählen.

KARAOKE- UND GITARRENFUNKTION

1. Der Lautsprecher erkennt automatisch, ob eine GITARRE oder ein MIKROFON angeschlossen wurde. Drehen Sie bitte die Mikrofonlautstärke mit dem Drehregler MIC.VOL der Bedieneinheit herunter und stellen Sie diese nach Anstecken des Mikrofons schrittweise wieder lauter. Hinweis: Im Lieferumfang des PMX-350 ist ein schnurloses Mikrofon enthalten, das mit 2 AA-Batterien (nicht enthalten) betrieben wird. Wenn Sie die Taste auf die Position „EIN“ stellen, können Sie in das Mikrofon sprechen und Lautstärke sowie Echo über das Bedienfeld einstellen.
2. Stellen Sie das Mikrofonecho mit dem Drehregler ECHO der Bedieneinheit ein.
3. Stellen Sie die Gitarrenlautstärke mit dem Drehregler GUITAR.VOL der Bedieneinheit ein.

Hinweis: Berühren Sie beim Singen nicht die Mikrofonkapsel, um Rückkopplungen vorzubeugen. Erhöhen Sie die Mikrofonlautstärke schrittweise, um Rückkopplungseffekte zu vermeiden.

BLUETOOTH KOPPELN UND VERBINDEN

- Schalten Sie alle bereits vorher mit dem Lautsprecher gekoppelten (verbundenen) Bluetooth-Geräte aus.
- Aktivieren Sie das Bluetooth Ihres Mobilgeräts oder ihres Musikplayers.
- Schalten Sie den Lautsprecher ein und wechseln Sie dann in den Bluetooth-Modus. Die blau blinkende „BT“-LED zeigt an, dass sich der Lautsprecher im Kopplungsmodus befindet.
- Suchen Sie mit Ihrem Mobilgerät oder Musikplayer nach Bluetooth-Geräten.
- Wählen Sie aus den Suchergebnissen Ihres Mobilgeräts oder Musikplayers „PMX-350“ aus.
- Wählen Sie OK oder YES (Ja) aus, um den Lautsprecher mit Ihrem Mobilgerät oder Musikplayer zu koppeln.
- Geben Sie wenn nötig als Passwort „0000“ ein. Die permanent blau leuchtende LED zeigt das erfolgreiche Verbinden an.
- Drücken Sie die Taste DISCONNECT auf der Fernbedienung, um die Bluetooth-Verbindung wieder zu trennen.

FUNKTION DER USB-SCHNITTSTELLE

USB-Schnittstelle

Der Lautsprecher besitzt 2 USB-Ports. Drücken Sie die Taste EINGANG A, um USB A auszuwählen. Danach können Sie für das Wiedergeben von Musik einen USB-Stick einstecken. Drücken Sie die Taste EINGANG B, um USB B auszuwählen. Danach können Sie für das Wiedergeben von Musik einen USB-Stick einstecken.

Wichtig: Die USB-Ports sind nur für eine Datenübertragung ausgelegt. Andere Geräte können mit diesen USB-Ports nicht verwendet werden. Die Verwendung von USB-Verlängerungskabeln ist nicht empfehlenswert.

ZEITANZEIGE

Im USB-Modus kann entweder die bereits verstrichene oder die noch übrige Zeit angezeigt werden. Durch langes Drücken der Wiedergabe-/Pausetaste können Sie das Aufwärts- bzw. Abwärtszählen der Zeit auswählen.

AUFLADEN DER BATTERIE

1. Im Batteriemodus steht die Funktion Standby nicht zur Verfügung.
2. Auf der Bedieneinheit leuchtet die Lade-LED. Bei genügend hoher Batterieladung leuchtet diese LED grün.
Bei geringer Batterieladung wird auf der Anzeige „LOW POWER“ (Batterie schwach) angezeigt und die Lade-LED leuchtet rot.

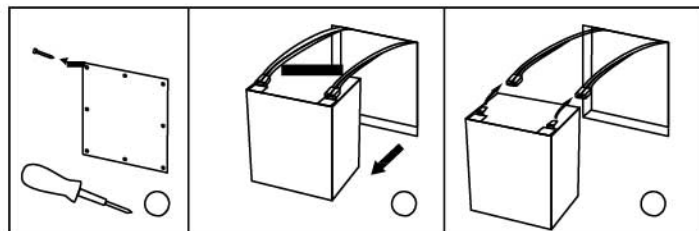
OM DE LEVENSDUUR VAN DE INTERNE BATTERIJ TE BESCHERMEN:

Um die Lebensdauer der integrierten Batterie zu schonen, schalten Sie bitte sofort, wenn die Batterie leer ist, den Power-Schalter auf der Rückseite in die Position „OFF“ oder auf „AC“, um die Batterie wieder aufzuladen.

Wichtig: Der Lieferant haftet nicht für Schäden aufgrund von Missbrauch am Gerät und die Batterie ist von der Garantie ausgeschlossen.

HERAUSNAHME DER BATTERIE

1. Drehen Sie die Schrauben in der Rückenabdeckung heraus.
2. Nehmen Sie die Batterie heraus.
3. Klemmen Sie die Batterie ab.



ZUBEHÖR

Fernbedienung	-----	1 x
Bedienungsanleitung	-----	1 x
Funkmikrofon	-----	1 x
Netzkabel	-----	1 x

		TECHNISCHE DATEN
Frequenzbereich	-----	20 Hz – 20 kHz
Stromquelle	-----	230 V~/50 Hz/12 V DC
Leistungsaufnahme	-----	120 W
Batterie	-----	Bleiakku 12 V DC/7 Ah
Wiedergabezeit im Batteriebetrieb	-----	Bis zu 12 Stunden bei 50 % Lautstärke
Ausgangsleistung	-----	320 W (RMS)
Mikrofon	-----	Funk 864 MHz
Bluetooth	-----	V4.2
UKW-Radio	-----	87,5 – 108 MHz
Geräteabmessung (B x T x H)	-----	43 x 28 x 115 mm
Abmessung Hochtonlautsprecher	-----	1 x 1"
Abmessung Tieftonlautsprecher	-----	1 x 3"
Abmessung Tiefbasslautsprecher	-----	2 x 12"
Gerätgewicht	-----	29,2 kg
Betriebstemperatur	-----	10 – 40 °C

- Diese Angaben dienen lediglich als Richtwerte. Die Gewichts- und Größenangaben sind Näherungswerte.
- Unser Produkt wird permanent weiterentwickelt und unterliegt bezüglich Spezifikationen und Funktionen stillschweigenden Änderungen.

Bitte beachten Sie (Für den Gebrauch des schnurlosen Mikrofons)

Dieses Produkt arbeitet im Frequenzbereich von **864 MHz** und darf nur in einer normalen häuslichen Umgebung verwendet werden. Dieses Produkt ist mit seinem Verwendungszweck für eine Verwendung innerhalb der meisten EU-Länder geeignet.

Der Benutzer hat die Frequenzen für den Ort auf Zulässigkeit zu überprüfen, in dem er das Gerät verwenden möchte.

(Weiter Informationen finden Sie auf: <https://www.apwpt.org>)

Der Benutzer ist für die Verwendung des Produkts eigenverantwortlich. Lenco kann im Falle einer anderen als die in dieser Bedienungsanleitung beschriebene Nutzung des Geräts nicht haftbar gemacht werden.

Garantie

Lenco bietet Leistungen und Garantien im Einklang mit Europäischem Recht. Im Falle von Reparaturen (sowohl während als auch nach Ablauf der Garantiezeit) sollten Sie deshalb Ihren Einzelhändler kontaktieren.

Wichtiger Hinweis: Es ist **nicht** möglich, Geräte für Reparaturen direkt an Lenco zu schicken.

Wichtiger Hinweis: Falls dieses Gerät von einem nicht autorisierten Kundendienst geöffnet oder darauf zugegriffen wird, erlischt die Garantie.

Dieses Gerät ist nicht für professionelle Zwecke geeignet. Falls das Gerät für professionelle Zwecke eingesetzt wird, erlöschen alle Garantieverpflichtungen seitens des Herstellers.

Haftungsausschluss

Aktualisierungen der Firmware und/oder Hardware-Komponenten werden regelmäßig durchgeführt. Daher können einige der Anweisungen, Spezifikationen und Abbildungen in dieser Dokumentation von Ihrer individuellen Situation abweichen. Alle in diesem Handbuch beschriebenen Elemente dienen nur zur Illustration und treffen auf Ihre individuelle Situation möglicherweise nicht zu. Aus der in diesem Handbuch getätigten Beschreibung können keine Rechtsansprüche oder Leistungsanforderungen geltend gemacht werden.

Entsorgung des Altgeräts



Dieses Symbol zeigt an, dass das entsprechende Produkt oder dessen Batterie in Europa nicht mit dem normalen Hausmüll entsorgt werden darf. Um die ordnungsgemäße Abfallbehandlung des Produkts und dessen Batterie zu gewährleisten, müssen diese im Einklang mit allen anwendbaren örtlichen Vorschriften zur Entsorgung von Elektrogeräten und Batterien entsorgt werden. Dabei helfen Sie, natürliche Ressourcen zu schonen und Umweltschutzstandards zur Verwertung und Entsorgung von Altgeräten aufrecht zu halten (Waste Electrical and Electronic Equipment Directive).

Service

Besuchen Sie bitte für weitere Informationen und unseren Kundendienst unsere Homepage www.lenco.com

Lenco Benelux BV, Thermiekstraat 1a, 6361 HB Nuth, The Netherlands.

ATTENTION !

L'utilisation des commandes, les réglages ou l'exécution de procédures autres que celles spécifiées ici peuvent aboutir à des expositions à des radiations dangereuses.

Cette unité ne doit pas être réglée ou réparée par quiconque, sauf du personnel de service qualifié.

PRÉCAUTIONS D'EMPLOI**GARDEZ A L'ESPRIT CES INSTRUCTIONS:**

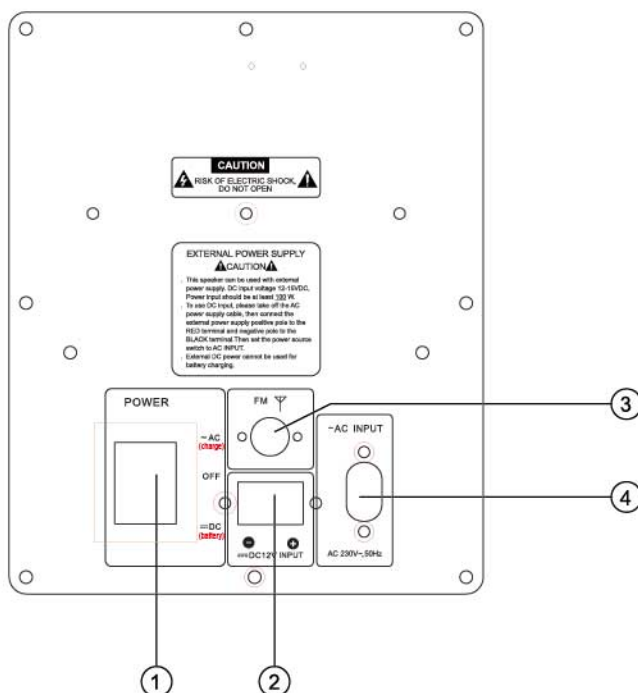
1. Ne nettoyez qu'avec un linge légèrement humide.
2. N'obstruez ou ne bloquez aucune voie de ventilation. Lorsque vous placez sur une étagère, laissez un espace libre de 5 cm (2 pouces) autour de l'unité.
3. Installez conformément aux instructions du présent manuel.
4. Ne pincez pas ou ne marchez pas sur l'adaptateur d'alimentation. Soyez très précautionneux, notamment près des prises et des points de sortie des câbles. Ne placez aucun objet lourd sur le cordon d'alimentation, cela pourrait l'endommager. Maintenez l'appareil hors de la portée des enfants ! S'ils jouent avec le câble d'alimentation, ils peuvent se faire des blessures graves.
5. Débranchez cet appareil lors des orages ou lorsqu'il est inutilisé pendant une longue période.
6. Tenez l'unité hors de portée des sources de chaleur telles que radiateurs, chauffages, fours, bougies, et autres appareils produisant de la chaleur.
7. Évitez d'utiliser l'appareil à proximité de forts champs magnétiques.
8. Un champ électromagnétique peut perturber l'utilisation normale de cet appareil. Dans ce cas, réinitialisez et redémarrez simplement l'appareil en suivant le manuel d'instruction. Lors du transfert de fichiers, manipulez avec précaution et faites fonctionner dans un environnement sans électricité statique.
9. Avertissement! N'insérez jamais d'objet dans le produit par les ventilations ou ouvertures. Une forte tension circule dans le produit et insérer un objet peut causer un choc électrique et/ou un court-circuit des parties internes. Pour la même raison, ne versez pas d'eau ou autre liquide dans le produit.
10. N'utilisez pas dans un endroit humide ou mouillé, tel qu'une salle de bain, une cuisine avec de la vapeur ou à proximité d'une piscine.
11. N'utilisez pas cette unité lorsque de la condensation peut se produire.
12. Cet appareil a été produit conformément à toutes les réglementations de sécurité actuellement en vigueur. Les conseils de sécurité qui suivent visent à protéger l'utilisateur contre une utilisation négligente et les dangers que cela génère.
13. Bien que cet appareil ait été fabriqué avec le plus grand soin et vérifié à plusieurs reprises avant de quitter l'usine, il est encore possible que des problèmes se produisent, comme avec tous les appareils électriques. Si vous constatez de la fumée, une production excessive de chaleur ou tout autre phénomène inattendu, veuillez débrancher la prise du secteur immédiatement.
14. Cet appareil doit être bien ventilé en permanence !
15. Cette unité doit être alimentée par une source électrique du type spécifiée sur la plaque des caractéristiques techniques sur le produit. Si vous n'êtes pas sûr du type de source d'alimentation de votre domicile, consultez votre fournisseur ou votre compagnie d'électricité locale.
16. La prise d'alimentation doit être installée à proximité de l'équipement et doit être facilement accessible.
17. Ne surchargez pas les prises secteur ou les rallonges à multiprises. La surcharge peut être une cause d'incendie ou de choc électrique.
18. Les unités avec une construction de classe 1 doivent être connectées à une prise secteur protégée par une connexion terre.
19. Les appareils avec une construction de classe 2 ne nécessitent pas de connexion avec la terre.
20. Maintenez à distance des rongeurs. Les rongeurs adorent mordre dans les cordons d'alimentation.
21. Lorsque vous débranchez la prise du secteur, tirez toujours par l'embout de la prise. Ne tirez pas le cordon d'alimentation. Cela peut causer un court-circuit.
22. Évitez de placer l'unité sur une surface qui risque d'être soumise à des vibrations ou des chocs.
23. Pour protéger l'unité lors des orages, débranchez le câble d'alimentation.
24. Lorsque l'unité n'est pas utilisée pendant une longue période, débranchez le cordon d'alimentation pour des raisons de sécurité.
25. Pour nettoyer la tablette, utilisez un linge doux sec. N'utilisez pas de solvants ou de liquides à base de pétrole. Pour les tâches difficiles, vous pouvez utiliser un linge humide avec du détergent dilué.

26. Le fournisseur n'est pas responsable des degats ou de la perte de donnees resultant d'un mauvais fonctionnement, d'usage errone, de modification de l'appareil ou du remplacement de la batterie.
27. N'interrompez pas la connexion lorsque l'appareil est en cours de formatage ou de transfert de fichiers. Autrement, les données pourraient se corrompre ou se perdre.
28. Cet appareil ne doit pas etre expose a l'egouttement ou aux eclaboussures. Ne jamais y poser un objet rempli de liquide tel qu'un vase.
29. Pour etre parfaitement deconnectee, la prise de courant et la prise d'alimentation de l'appareil doivent etre deconnectees de l'alimentation. Pour mettre hors tension l'appareil, debranchez la fiche d'alimentation de la prise secteur.
30. La fiche de l'appareil ne doit pas etre obstruee ou doit etre facilement accessible pendant l'utilisation.
31. Les piles ne doivent pas etre exposees a une chaleur excessive telle que la lumiere du soleil, des flammes, etc.
32. Il doit y avoir une distance minimale de 10 cm autour de l'appareil pour garantir une ventilation suffisante.
33. L'aeration ne doit pas etre bloquee en obstruant les orifices d'aeration avec des objets tels que des journaux, des nappes, des rideaux, etc.
34. Ne posez pas de flamme nue, comme une bougie allumee, sur l'appareil.
35. Veuillez considerer les questions environnementales lors de la mise au rebut des piles.
36. Utilisez l'appareil uniquement en climat tempere ; evitez environnements tres froids ou tres chauds
37. La plaque signaletique se situe sous l'appareil.
38. Cet appareil n'est pas conçu pour une utilisation par des personnes (y compris les enfants) a capacites physiques, sensorielles ou mentales reduites, ou manquant d'experience et de connaissances, sauf dans le cas ou une personne responsable de leur securite leur ont appris a utiliser de l'appareil ;
39. Ce produit est uniquement destine a un usage domestique, non a un usage commercial ni industriel.
40. Assurez-vous que l' unite est en position stable. La garantie ne couvre aucuns degats occasionnes par l'utilisation de ce produit en position instable ou par le non-suivi de tout autre avertissement ou precaution contenu dans ce guide d'utilisation.
41. Ne retirez jamais retirer le boitier de l'appareil.
42. Ne placez jamais l'appareil sur un autre equipement electrique.
43. N'utilisez ni ne rangez ce produit dans un lieu expose directement a la lumiere du soleil, a la chaleur, a des poussieres ou vibrations excessives.
44. N'utilisez pas d'eau ou d'autres liquides pour nettoyer ce produit.
45. Ne bloquez ni ne recouvrez les fentes et trous de ce produits.
46. N'inserez pas de corps etrangers dans les fentes ni dans les trous du produit.
47. Ne laissez pas les sacs en plastique a la portee des enfants.
48. Verifiez que la tension figurant sur la plaque signaletique de votre appareil correspond a celle de votre secteur (la plaque signaletique se situe a l'arriere de l'appareil).
49. Protegez le cordon d'alimentation (personne ne doit marcher dessus et il ne doit pas etre pince en particulier au niveau des prises), les prises de courant et le point ou les prises sortent de l'appareil.
50. Utilisez uniquement les accessoires recommandes par le fabricant.
51. Confiez l'entretien et les reparations a un personnel qualifie. L'appareil doit etre repare s'il a ete endommage, notamment si le cordon d'alimentation ou la prise sont endommages, si un liquide a ete renverse ou si des objets sont tombes sur l'appareil, si l'appareil a ete expose a la pluie ou l'humidite, s'il ne fonctionne pas correctement, ou s'il est tombe.
52. N'utilisez pas un cordon ou une fiche d'alimentation endommages ni une prise desserree. Vous risqueriez de causer un incendie ou une decharge electrique.
53. La cle usb doit etre branchee directement dans l'appareil. N'utilisez pas de cable d'extension car cela peut causer des interferences resultant sur une perte de donnees.

« a pleine puissance, l'ecoute prolongee du baladeur peut endommager l'oreille de l'utilisateur »

INSTALLATION

- Deballez tous les composants puis retirez les elements d'emballage.
- Ne raccordez pas l' unite au secteur avant d'avoir verifie la compatibilite de la tension secteur.
- Ne couvrez pas les orifices de ventilation et assurez-vous qu'il y ait suffisamment d'espace autour de l' unite afin de permettre une correcte ventilation.



1. Interrupteur marche/arrêt

Pour basculer entre les modes ENTRÉE CC, ENTRÉE CA ou DÉSACTIVÉ.

Quand l'enceinte est réglée sur CA, elle fonctionne sur 230 V et la batterie se chargera.

Quand l'appareil est réglé sur OFF, il est hors tension et la batterie ne se charge pas.

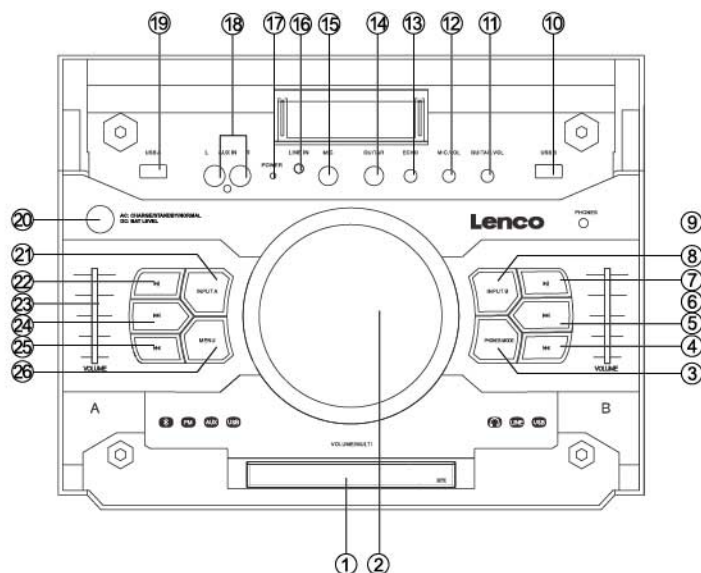
Quand il est réglé sur CC, l'enceinte est alimentée par batterie.

2. ENTRÉE CC 12 V

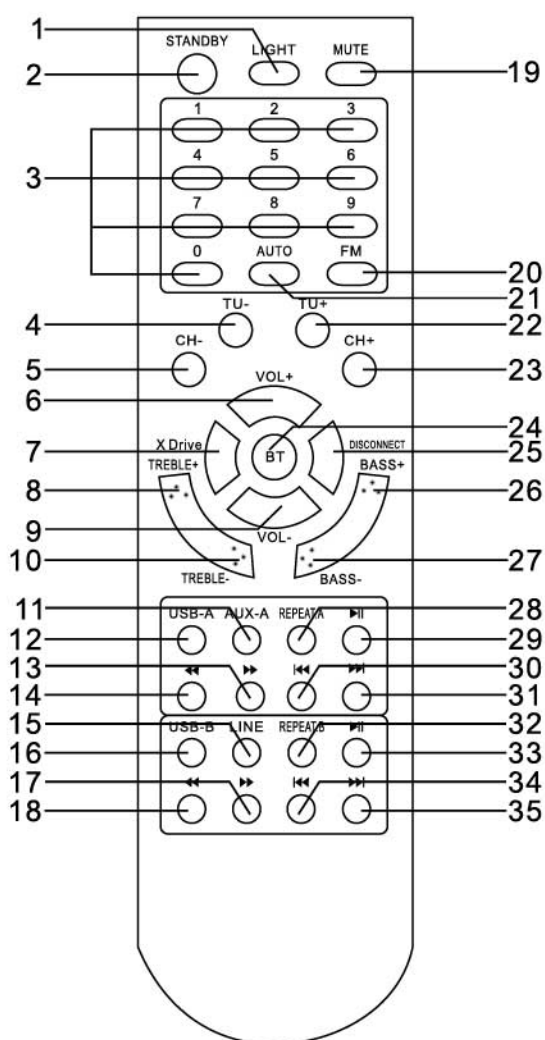
L'enceinte peut être raccordée à la batterie de 12 V CC d'une voiture.

3. ANTENNE FM

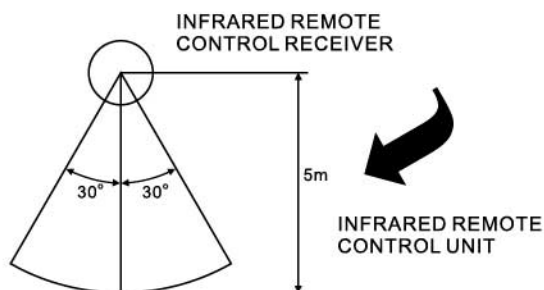
4. ENTRÉE CA : CA 230 V~, 50 Hz



1. **ÉCRAN LED**
Pour afficher les informations de paramètres du système, le côté gauche de l'écran indique l'état de ENTRÉE A, tandis que le côté droit de l'écran indique l'état de ENTRÉE B.
2. **VOLUME/MULTI/EFFET DJ**
Pivotez la molette pour régler le volume principal, le volume des écouteurs, les aiguës et les basses. Appuyez brièvement sur cette touche pour choisir différents effets de musique : SCRATCH, REVERB, BEAT BOX, YEAH, BRING IT, GEYA, COME ON. Appuyez longuement pour lire l'effet DRUMS (batterie).
3. **MODE ÉCOUTEURS**
Appuyez sur cette touche pour choisir parmi les différents modes ÉCOUTEURS, ENTRÉE A, ENTRÉE B et ENTRÉE AB.
4. **PRÉC ENTRÉE B**
Appuyez sur cette touche pour choisir la piste musicale précédente avec USB B.
5. **SUIV ENTRÉE B**
Appuyez sur cette touche pour choisir la piste musicale suivante avec USB B.
6. **ENTRÉE B**
Cela sert à régler le volume avec ENTRÉE B.
7. **LECTURE/PAUSE ENTRÉE B**
Appuyez sur cette touche pour choisir la lecture/mise en pause de la piste musicale suivante avec ENTRÉE B.
En lisant une clé USB, appuyez longuement sur cette touche pour basculer entre compte à rebours et compte positif et de durée de lecture.
8. **MODE ENTRÉE B**
Appuyez sur cette touche pour choisir un autre mode ENTRÉE B, LINE et USB B.
9. **PRISE D'ENTRÉE D'ÉCOUTEURS**
10. **Prise d'entrée USB B**
11. **VOLUME DE LA GUITARE**
Pour régler le volume de la GUITARE.
12. **VOLUME DU MICROPHONE**
Pour régler le volume du MICROPHONE.
13. **ÉCHO**
Pour régler l'ÉCHO de l'entrée MIC (micro).
14. **Prise GUITARE**
15. **Prise MICRO**
16. **PRISE D'ENTRÉE AUDIO D'ENTRÉE DE LIGNE**
Pour connecter une prise d'entrée de signal LINE IN (entrée de ligne).
17. **Lumière à alimentation CC**
18. **PRISE D'ENTRÉE AUDIO AUX**
Pour connecter une prise d'entrée de signal AUX.
19. **Prise d'entrée USB A**
20. **Sur CA : CHARGE/VEILLE/NORMAL**
Appuyez longuement sur cette touche pour mettre l'appareil en marche ou en veille. Appuyez brièvement sur cette touche pour mettre l'appareil en mode CHARGE, VEILLE ou NORMAL.
Sur CC : NIVEAU DE BATTERIE
Appuyez sur cette touche pour afficher le niveau de batterie actuel.
21. **MODE D'ENTRÉE A**
Appuyez sur cette touche pour choisir parmi les différents modes ENTRÉE A : AUX A, BT A, FM et USB A.
22. **LECTURE/PAUSE ENTRÉE A**
Appuyez sur cette touche pour choisir la lecture/mise en pause avec ENTRÉE A.
En lisant une clé USB, appuyez longuement sur cette touche pour basculer entre compte à rebours et compte positif et de durée de lecture.
23. **VOLUME D'ENTRÉE A**
Cela sert à régler le volume de ENTRÉE A.
24. **SUIV ENTRÉE A**
Appuyez sur cette touche pour choisir la piste musicale suivante avec USB A.
25. **PRÉC ENTRÉE A**
Appuyez sur cette touche pour choisir la piste musicale précédente avec ENTRÉE USB A.
26. **MENU**
Cet interrupteur permet de sélectionner les modes volume principal, basses, aiguës, X Drive et lumière.



1. LUMIÈRE
2. MISE EN VEILLE
3. PAVÉ NUMÉRIQUE
4. RÉGLAGE-
5. CHAÎNE-
6. VOLUME+
7. X DRIVE
8. AIGUËS+
9. VOLUME-
10. AIGUËS-
11. AUX-A
12. USB-A
13. USB-A AVANCER ►►
14. USB-A RECULER ◄◄
15. LIGNE
16. USB-B
17. USB-B AVANCER ►►
18. USB-B RECULER ◄◄
19. MUET
20. FM
21. AUTO
22. RÉGLAGE+
23. CHAÎNE+
24. BT
25. DÉCONNECTER
26. BASSES+
27. BASSES-
28. ENTRÉE-A RÉPÉTER
29. ENTRÉE-A PAUSE ►|
30. ENTRÉE-A PRÉCÉDENT ◄◄
31. ENTRÉE-A SUIVANT ►►
32. ENTRÉE-B RÉPÉTER
33. ENTRÉE-B PAUSE ►|
34. ENTRÉE-B PRÉCÉDENT ◄◄
35. ENTRÉE-B SUIVANT ►►



FONCTIONNEMENT DE LA TÉLÉCOMMANDE :

- Si la télécommande entre en conflit avec d'autres appareils, cela altèrera son fonctionnement.
- N'appuyez pas simultanément sur des boutons sur l'appareil et la télécommande.
- Évitez d'utiliser deux télécommandes en même temps, car cela causerait un dysfonctionnement.
- Utilisez uniquement des piles UM-4 de taille « AAA ». Ne mélangez pas les batteries anciennes et neuves.
- Si les batteries fuient, nettoyez soigneusement la télécommande avant de changer les piles.
- Ne court-circuitez pas deux bornes des piles. Mettez au rebut les piles usagées dans un endroit approprié.

FONCTIONNEMENT NORMAL

1. Avec l'interrupteur marche/arrêt à l'arrière de l'enceinte, sélectionnez le mode CA ou DC CC.
2. Sélectionnez une source audio en appuyant sur la touche ENTRÉE A en façade pour afficher AUX A, BT A, FM, USB A. Appuyez sur la touche INPUT B en façade pour afficher LINE (ligne), USB B.

Quand l'appareil est en mode CA :

- Un premier appui sur le bouton veille active le mode de charge, en affichant l'état de charge de la batterie sur l'écran LED bleu.
- Une deuxième appui sur le bouton veille active l'enceinte et allume le voyant de charge vert.
- Vous pouvez également sélectionner le mode veille sans charger la batterie.

Quand l'appareil est en mode CC :

- un appui sur le bouton veille affiche le niveau de la batterie sur l'écran LED bleu.

3. Tournez la molette VOLUME/MULTI/DJ EFFECT en façade ou appuyez sur la touche VOL+/- de la télécommande pour régler le volume principal. Ensuite, réglez le curseur du volume de ENTRÉE A et utilisez le curseur du volume droit pour changer le volume de ENTRÉE B.
4. Pour régler les basses, les aiguës, X-Drive, les lumières de l'enceinte et le volume principal, appuyez sur la touche menu pour sélectionner basses, aiguës, X-Drive et lumières de l'enceinte, puis pivotez la grande molette VOLUME/MULTI/DJ EFFECT.
5. Sélection de la SORTIE ÉCOUTEURS. Appuyez sur le bouton PHONES MODE en façade pour afficher ENTRÉE A, ENTRÉE B ou ENTRÉE AB et réglez le volume de A, B ou AB en pivotant la molette MULTI DJ EFFECT.
6. Appuyez sur la touche LIGHT de la télécommande ou appuyez sur le bouton MENU en façade jusqu'à ce que Speaker Light Mode (mode lumière de l'enceinte) s'affiche, puis pivotez la molette VOLUME/MULTI/DJ EFFECT pour sélectionner les modes de lumière OFF (désactivé), R, G, B, RG, RB, GB, RGB, AUTO ou DEMO.
7. Appuyez sur la touche MUTE de la télécommande pour mettre le son en sourdine, appuyez dessus pour réinitialiser.
8. Appuyez sur la touche X DRIVE de la télécommande pour activer/désactiver l'effet X-Bass.

OPTIONS DE COMMANDE DE COULEUR DE LUMIÈRE DE L'ENCEINTE

- R = lumières rouges clignotantes
- G = lumières vertes clignotantes
- B = lumières bleues clignotantes
- RG = lumières rouges et vertes clignotantes
- RB = lumières rouges et bleues clignotantes
- GB = lumières vertes et bleues clignotantes
- RGB = lumières rouges, vertes et bleues clignotantes
- Auto = les diverses combinaisons lumineuses alternent et clignent.
- Demo = les lumières clignent et changent de couleur comme si elles répondaient au rythme de la musique.

APPLICATIONS DU SYTONISEUR

1. Avant d'utiliser les fonctions de la radio, vous devez régler l'antenne pour optimiser la réception. Appuyez sur la touche ENTRÉE A en façade ou sur la touche FM de la télécommande pour sélectionner la fonction « FM ».
2. Appuyez sur la touche AUTO de la télécommande ou le bouton Lecture du panneau de commande de ENTRÉE A.
La machine recherchera les stations de radio par fréquence croissante automatiquement et mémorisera les stations trouvées une par une.
3. Appuyez sur la touche CH+/CH- de la télécommande pour modifier les présélections de radio mémorisées au préalable.
4. Maintenez enfoncée la touche TU+/TU- de la télécommande pour régler manuellement la fréquence radio.
5. Pour sélectionner les stations de radio à partir du panneau de commande, maintenez enfoncés les boutons suiv/préc.

FONCTIONS KARAOKÉ ET GUITARE

1. L'appareil peut détecter automatiquement si un MICROPHONE ou une GUITARE sont raccordés. Désactivez le volume du microphone avec la molette MIC.VOL en façade et réglez le volume progressivement après avoir branché le microphone. Remarque : le PMX-350 est livré avec un microphone sans fil utilisant des piles 2AA (non fournies). Lorsque vous mettez le bouton sur « ON (Marche) », vous pouvez parler dans celui-ci et régler le volume et l'écho sur le panneau de commande.
2. Réglez la molette ECHO en façade pour modifier l'ÉCHO du microphone.
3. Réglez la molette GUITAR VOL en façade pour modifier le VOLUME de la guitare.

Remarque : Ne touchez pas le dessus du microphone en chantant afin d'éviter un effet d'hurllement. Réglez progressivement le volume du microphone afin d'éviter un effet d'hurllement.

APPARIEMENT ET CONNEXION PAR BLUETOOTH

- Éteignez tous les appareils Bluetooth précédemment appariés (associés) à cet appareil.
- Activez la fonction Bluetooth sur votre téléphone ou votre lecteur audio.
- Mettez en marche cet appareil et réglez-le en mode Bluetooth. Le voyant bleu clignotant « BT » sur l'écran LED indique que l'appareil est en mode d'appariement.
- Recherchez les appareils Bluetooth avec votre téléphone ou lecteur audio.
- Sélectionnez « PMX-350 » dans les résultats de recherche sur votre téléphone ou lecteur audio.
- Sélectionnez OK ou YES (oui) pour appairer cet appareil avec votre téléphone ou lecteur audio.
- Si un mot de passe est demandé, saisissez 0000, puis la connexion sera établie si le voyant bleu reste allumé.
- Appuyez sur la touche « DISCONNECT » sur la télécommande pour désactiver la fonction Bluetooth.

UTILISATION D'UNE CLÉ USB

Interface USB

Cet appareil a deux prises USB. Appuyez sur la touche ENTRÉE A pour sélectionner USB A, puis vous pouvez insérer une clé USB pour lire de la musique. Appuyez sur la touche ENTRÉE B pour sélectionner USB B, puis vous pouvez insérer une autre clé USB pour lire de la musique.

Important : Le port USB est conçu uniquement pour transférer des données, d'autres appareils ne peuvent pas être utilisés avec cette connexion USB. Il est déconseillé d'utiliser des rallonges USB.

AFFICHAGE DE L'HEURE

En mode USB, l'écran peut afficher la durée écoulée ou restante.

En appuyant longuement sur la touche lecture/pause, vous pouvez sélectionner l'affichage négatif ou positif de la durée.

CHARGE DE LA BATTERIE

1. Quand l'appareil est en alimenté par batterie, la commande de veille est indisponible.
2. Le panneau de commande a un voyant de charge. Quand la batterie est suffisamment chargée, le voyant vert est allumé.
Quand la batterie est faible, le système affiche le message « LOW POWER » (batterie faible) et le voyant rouge est allumé.

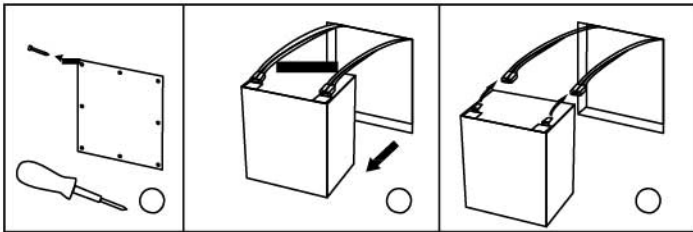
POUR PROTÉGER L'AUTONOMIE DE LA BATTERIE INTERNE :

Lorsque la batterie est déchargée, placer immédiatement le commutateur POWER à l'arrière de l'appareil en position OFF pour protéger la durée de vie de la batterie ou sur la position AC pour la recharger.

Important : Le fournisseur n'est pas responsable des dégâts résultant d'un mauvais usage de l'appareil et la batterie n'est pas couverte par la garantie.

DÉMONTAGE DE LA BATTERIE

1. Enlevez les vis sur le panneau arrière.
2. Sortez la batterie.
3. Déconnectez la batterie.



ACCESSOIRES

Télécommande	1 pc
Mode d'emploi	1 pc
Microphone sans fil	1 pc
Câbles d'alimentation CA	1 pc

	CARACTÉRISTIQUES
Réponse en fréquence	20 Hz à 20 kHz
Source d'alimentation	230V~, 50Hz/12VCC
Puissance consommée	120 W
Batterie	Plomb/acide 12 VCC, 7 Ah
Autonomie en lecture CC	~12 h à 50 % du volume
Sortie d'alimentation	320W (RMS)
Microphone	Sans fil 864 MHz
Bluetooth	V4.2
Radio FM	87,5 à 108 MHz
Dimensions de l'appareil (L X P X H)	43 x 28 x 115 mm
Taille du haut-parleur d'aiguës	1 x 1 pouces
Taille du haut-parleur	1 x 3 pouces
Taille du caisson de basses	2 x 12 pouces
Poids de l'appareil	29,2 kg
Température de fonctionnement	10 à 40 °C

- Les caractéristiques sont indiquées uniquement à titre indicatif. Les valeurs de poids et de taille sont des approximations.
- Étant donné que nous améliorons constamment nos produits, leurs caractéristiques et fonctions peuvent changer sans préavis.

Remarque (Pour l'utilisation du microphone sans fil)

Ce produit fonctionne à une fréquence de **864 MHz** et il est conçu pour être utilisé uniquement au sein d'un environnement privé normal. Ce produit convient à cette fin dans la plupart des pays de l'UE.

L'utilisateur doit vérifier les fréquences permises du pays où l'appareil sera utilisé.

(Pour en savoir plus, visitez : <https://www.apwpt.org>)

L'utilisateur est responsable de l'utilisation de cet appareil. La société Lenco ne peut être pas tenue pour responsable si cet appareil est utilisé à d'autres fins que celles décrites dans ce mode d'emploi.

Garantie

Lenco propose un service et une garantie conformément à la législation européenne, ce qui signifie qu'en cas de besoin de réparation (aussi bien pendant et après la période de garantie), vous pouvez contacter votre revendeur le plus proche.

Remarque importante : Il n'est pas possible de renvoyer l'appareil pour réparation directement à Lenco.

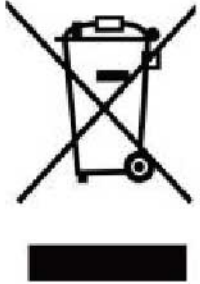
Remarque importante : Si l'unité est ouverte ou modifiée de quelque manière que ce soit par un réparateur non agréé, la garantie serait caduque.

Cet appareil ne convient pas à une utilisation professionnelle. En cas d'utilisation professionnelle, les obligations de garantie du fabricant seront annulées.

Clause de non-responsabilité

Des mises à jour du logiciel et/ou des composants informatiques sont régulièrement effectuées. Il se peut donc que certaines instructions, caractéristiques et images présentes dans ce document diffèrent légèrement de votre configuration spécifique. Tous les articles décrits dans ce guide sont fournis uniquement à des fins d'illustration et peuvent ne pas s'appliquer à une configuration spécifique. Aucun droit légal ne peut être obtenu depuis les informations contenues dans ce manuel.

Mise au rebut de l'appareil usagé



Ce symbole indique que le produit électrique concerné ou la batterie ne doivent pas être jetés parmi les autres déchets ménagers en Europe. Pour garantir un traitement correct du déchet de la batterie ou de l'appareil, veuillez les mettre au rebut conformément aux règlements locaux en vigueur relatifs aux appareils électriques et autres batteries. En agissant de la sorte, vous contribuerez à la préservation des ressources naturelles et à l'amélioration des niveaux de protection environnementale concernant le traitement et la destruction des déchets électriques (directive sur les déchets des équipements électriques et électroniques).

Service après-vente

Pour en savoir plus et obtenir de l'assistance, visitez www.lenco.com

Lenco Benelux BV, Thermiekstraat 1a, 6361 HB, Nuth, Pays-Bas

PRECAUCIÓN!

El uso de controles o ajustes distintos, o llevar a cabo procedimientos distintos a aquéllos aquí especificados puede tener como consecuencia una exposición peligrosa a la radiación.

Esta unidad no debe ser ajustada ni reparada por ninguna persona, salvo por el personal de servicio técnico cualificado.

PRECAUCIONES DE USO

TENGA SIEMPRE EN CUENTA LAS SIGUIENTES INSTRUCCIONES:

1. No use esta tableta cerca del agua.
2. Límpiela solo con un paño ligeramente humedecido.
3. No cubra ni obstruya ninguna de las aberturas de ventilación. Cuando coloque la tableta en una estantería, deje un espacio de como mínimo 5 cm (2") a su alrededor para una adecuada ventilación.
4. Instale según lo especificado en el manual del usuario que se le proporciona.
5. No pise ni pellizque el cable de alimentación. Tenga mucho cuidado, particularmente cerca del enchufe y por donde el cable sale del aparato. No coloque elementos pesados sobre el cable de alimentación, ya que estos podrían dañarlo. Mantenga la tableta fuera del alcance de los niños. Si estos jugaran con el cable de alimentación, podrían resultar seriamente dañados.
6. Desenchufe esta tableta durante las tormentas o cuando no la use durante periodos prolongados.
7. Mantenga la tableta alejada de fuentes de calor como radiadores, estufas, fuegos de cocina, velas encendidas y otros productos generadores de calor.
8. Evite usar el aparato cerca de potentes campos magnéticos.
9. El normal funcionamiento del producto podrá verse alterado por esd. Si así fuera, efectúe una operación de reset y reinicie el aparato siguiendo el manual de instrucciones. Durante la transmisión de archivos, por favor, tenga cuidado y use la tableta en un entorno sin electricidad estática.
10. Advertencia! No introduzca objetos en el producto a través de las aberturas de ventilación u otros orificios. Por el producto pasa un flujo continuo de corriente, por lo que la inserción de un objeto podría causar una descarga eléctrica y/o un cortocircuito de los componentes internos. Por el mismo motivo, no vierta ni derrame agua o líquidos sobre el producto.
11. No use el aparato en lugares húmedos o mojados, como baños, cocinas que despidan vapor o cerca de piscinas.
12. No use esta tableta cuando pudiera formarse condensación.
Esta unidad ha sido fabricada siguiendo todas las regulaciones de seguridad. Los siguientes consejos de seguridad deberían prevenir un uso irresponsable y los peligros que de dichos usos se deriven.
13. A pesar de que esta unidad ha sido cuidadosamente fabricada y revisada rigurosamente antes de abandonar la fábrica, como sucede con todos los aparatos eléctricos, es posible que surjan algunos problemas. Si percibiera humo, un calor excesivo proveniente del aparato o cualquier otro fenómeno anormal, desconecte el enchufe de la toma de corriente inmediatamente.
14. Este aparato debe estar bien ventilado en todo momento

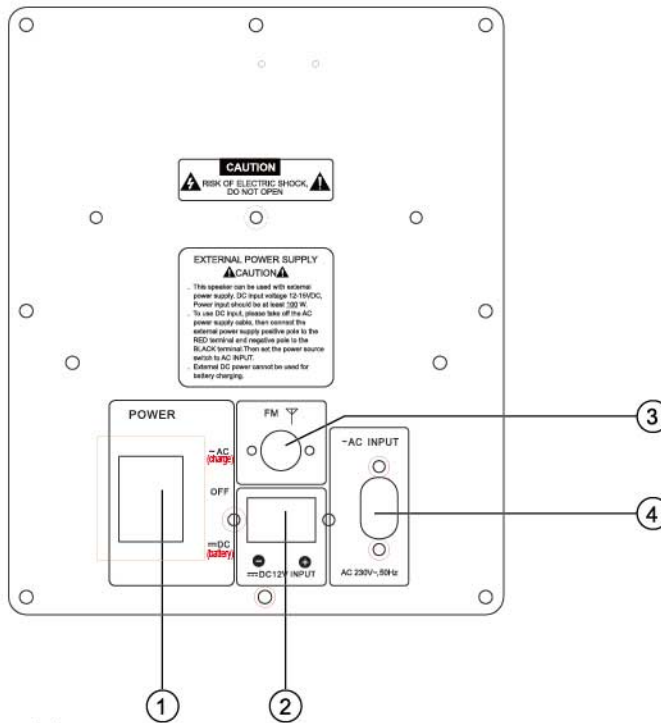
15. Esta unidad deberá funcionar con una toma de corriente que suministre un voltaje como el que indica la etiqueta de especificaciones. Si no estuviera seguro del tipo de voltaje de su hogar, consulte a su distribuidor o a la compañía eléctrica local.
16. La toma de alimentación deberá estar instalada cerca del equipo, siendo además fácilmente accesible.
17. No sobrecargue las tomas de corriente ni cables extensores. La sobrecarga podría provocar un incendio o descarga eléctrica.
18. Los dispositivos de clase 1 deberán conectarse a una toma de corriente con una conexión a tierra de protección.
19. Los aparatos con un adaptador de clase ii no necesitan una conexión de toma de tierra.
20. Mantenga a los roedores alejados del aparato. A estos les encanta mordisquear los cables de alimentación.
21. Desenchufe el aparato tirando del enchufe. No tire del cable. De hacerlo, podría provocar un cortocircuito.
22. No coloque el aparato sobre superficies que puedan ser sometidas a vibraciones o impactos.
23. Para proteger la unidad durante una tormenta, desenchufe el cable de alimentación.
24. Cuando no use la tableta por un periodo prolongado, por motivos de seguridad, desenchufe el cable de alimentación.
25. Para limpiar el aparato, utilice un trapo suave y seco. No use disolventes ni líquidos con base de gasolina. Para manchas rebeldes, podrá usar un paño humedecido con detergente diluido.
26. El distribuidor no se hace responsable de los daños o pérdida de datos causados por un fallo de funcionamiento, uso inadecuado o modificación del aparato o sustitución de las pilas.
27. No interrumpa la conexión cuando el dispositivo se esté formateando o transfiriendo archivos, de lo contrario, algunos podrían corromperse o perderse.
28. El aparato no debe exponerse a goteos ni a salpicaduras de agua, ni deben colocarse objetos que contengan líquido, como jarrones, sobre el mismo.
29. Para desconectarlo completamente de la alimentación, el enchufe del aparato deberá desconectarse completamente de la toma de corriente. El dispositivo de desconexión es el enchufe del aparato.
30. El enchufe de alimentación del aparato no debe estar obstruido y debe quedar fácilmente accesible durante el uso.
31. La batería no debe exponerse a un calor excesivo, como la luz solar, fuego o similares.
32. Deje una distancia mínima de 10 cm alrededor del aparato para permitir la ventilación necesaria.
33. No debe impedirse la ventilación cubriendo las aperturas con objetos como periódicos, manteles, cortinas, etc.
34. No deben colocarse fuentes de llama, como velas encendidas, sobre el aparato.
35. Debe prestarse atención a los aspectos medioambientales sobre la eliminación de baterías.
36. Utilice este aparato únicamente en climas moderados, y evitan entornos extremadamente fríos o cálidos
37. La etiqueta de clasificación se encuentra en el panel inferior del aparato.

38. Para proteger a niños o personas débiles del peligro de aparatos eléctricos, tenga en cuenta que este aparato sólo se puede utilizar bajo vigilancia. Este aparato no es ningún juguete. No deje jugar a niños pequeños con ello.
39. Este producto está destinado únicamente al uso doméstico y no al uso comercial ni al industrial.
40. Asegúrese de que la unidad esté fijada en una posición estable. Los daños provocados por utilizar este producto en una posición inestable o por no seguir cualquier otra advertencia o precaución incluida en este manual de usuario no estarán cubiertos por la garantía.
41. No retire nunca la carcasa de este aparato.
42. No coloque nunca este aparato sobre otros equipos eléctricos.
43. No utilice ni guarde el producto en lugares expuestos a la luz solar directa, a altas temperaturas, a la vibración ni en ambientes excesivamente polvorientos.
44. No limpie el producto con agua ni con otros líquidos.
45. No obstruya ni cubra las ranuras u orificios presentes en el producto.
46. No introduzca objetos extraños en las ranuras u orificios presentes en el producto.
47. Mantenga las bolsas de plástico fuera del alcance de los niños.
48. Compruebe que el voltaje en la placa de características del aparato se corresponde con el suministro eléctrico de su hogar (la placa de características se encuentra en la parte posterior de la unidad).
49. Proteja el cable de alimentación para evitar que lo pisen o aplasten, especialmente en los enchufes, tomas de corriente y el lugar en que sale del aparato.
50. Use únicamente los dispositivos/accesorios especificados por el fabricante.
51. Remita todas las reparaciones al personal cualificado. Es necesario mantenimiento cuando el aparato ha sido dañado de alguna manera, como cuando el cable de alimentación o el enchufe están deteriorados, se ha derramado líquido o han caído objetos sobre el aparato, el aparato ha sido expuesto a la lluvia o humedad, si no funciona normalmente, o se ha caído.
52. No utilice un cable de alimentación o enchufe deteriorado o una toma suelta. Si lo hace, podría provocar un incendio o una descarga eléctrica.
53. La unidad de memoria usb deberá ser conectada directamente a la unidad. No use un cable de extensión usb, ya que podría causar interferencias que darían como resultado fallos de datos.

Advertencia: una exposición prolongada a sonidos fuertes de reproductores de música personales podría acarrear la pérdida temporal o permanente de oído.

INSTALACIÓN

- Desembale todas las piezas y quite el material protector.
- No conecte la unidad a la red eléctrica antes de revisar el voltaje de la toma y de realizar todas las demás conexiones.
- No cubra ninguna abertura de ventilación y asegúrese de que haya un espacio de varios centímetros alrededor de la unidad para la ventilación.



1. Interruptor de encendido

Modos de cambio ENTRADA CC, ENTRADA CA u off.

Cuando se cambia al estado CA, el altavoz funciona a 230V y se cargará la batería.

Cuando se cambia a apagado, la alimentación está apagada y no hay carga de la batería.

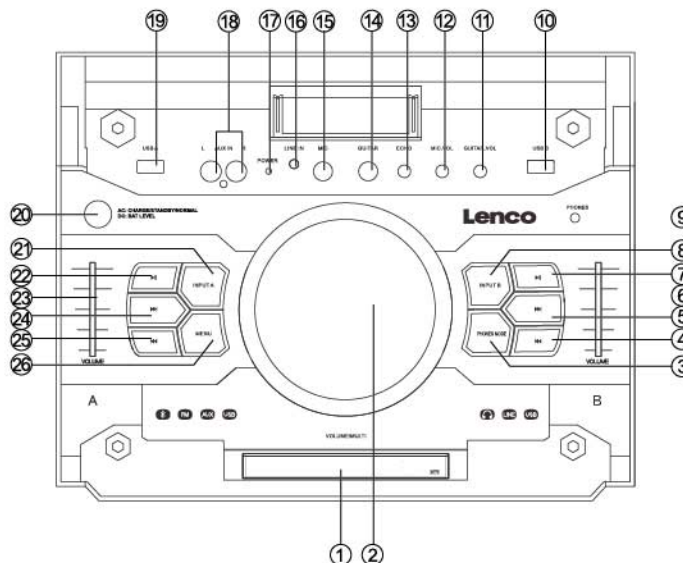
Cuando se cambia a CC, el altavoz está alimentado por la batería.

2. ENTRADA CC DE 12V

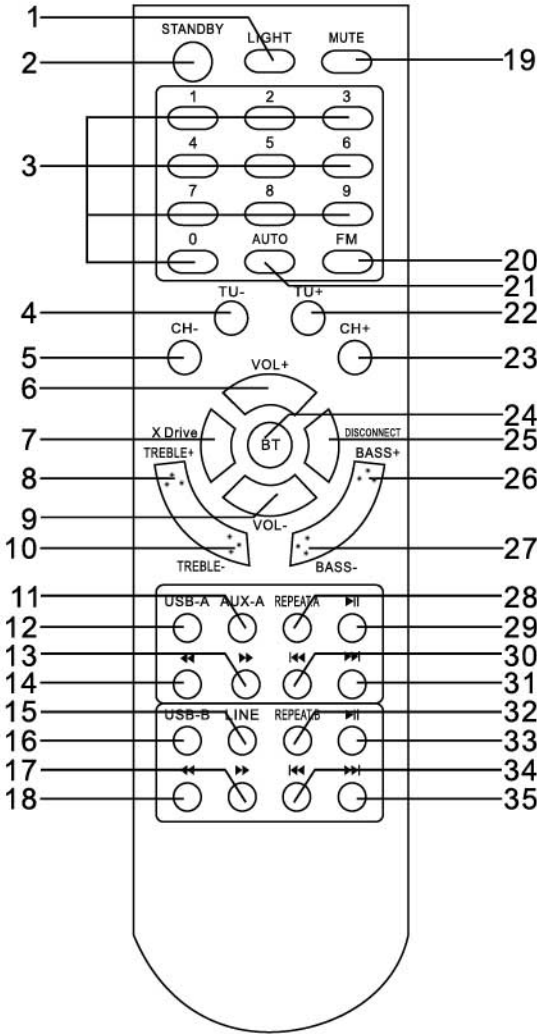
El altavoz puede conectarse a la batería CC de 12V de un vehículo.

3. ANTENA FM

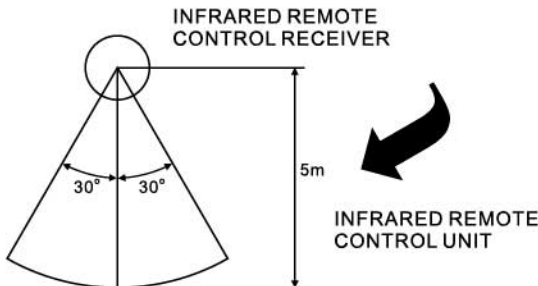
4. ENTRADA CA CA 230V~, 50Hz



1. **PANTALLA LED**
Información de parámetros del sistema de pantalla: la parte izquierda de la pantalla muestra el estado de la ENTRADA A; la parte derecha de la pantalla muestra el estado de ENTRADA B
2. **VOLUMEN/MULTI/EFEECTO DJ**
Gire el dial para ajustar el volumen principal, el volumen del teléfono, los bajos y agudos. Pulse brevemente esta tecla para elegir los diferentes efectos musicales, SCRATCH, REVERB, BEAT BOX, YEAH, BRING IT, GEYA, COME ON. Púlsela durante un periodo prolongado de tiempo para reproducir el efecto de PERCUSIÓN.
3. **MODO TELÉFONO**
Pulse esta tecla para elegir los diferentes modos AURICULARES, ENTRADA A, ENTRADA B, ENTRADA AB
4. **ENTRADA B ANTERIOR**
Pulse esta tecla para elegir la música anterior con USB B
5. **ENTRADA B SIGUIENTE**
Pulse esta tecla para elegir la siguiente música con USB B
6. **ENTRADA B VOLUMEN**
Esto se usa para ajustar el volumen con ENTRADA B
7. **ENTRADA B REPRODUCIR/HACER UNA PAUSA**
Pulse esta tecla para elegir reproducir/hacer una pausa en la música con ENTRADA B
Cuando reproduzca un USB, pulse esta tecla durante un periodo prolongado de tiempo para cambiar la cuenta atrás o cuenta hacia delante de la reproducción.
8. **MODO ENTRADA B**
Pulse esta tecla para elegir entre los diferentes modos ENTRADA B, LÍNEA, USB B
9. **TOMA DE ENTRADA DE AURICULARES**
10. **Toma de entrada USB B**
11. **VOLUMEN DE LA GUITARRA**
Ajusta el volumen de la GUITARRA
12. **VOLUMEN DEL MICRÓFONO**
Ajusta el volumen del MICRÓFONO
13. **ECO**
Ajusta el ECO de la entrada del MICRÓFONO
14. **Toma de GUITARRA**
15. **Toma de MICRÓFONO**
16. **TOMA DE ENTRADA DE AUDIO DE TOMA DE LÍNEA**
Conéctela a la toma de entrada de señal LINE IN (ENTRADA DE LÍNEA).
17. **Luz de alimentación CC**
18. **TOMA DE ENTRADA DE AUDIO AUXILIAR**
Conéctelo a la toma de entrada de señal AUXILIAR.
19. **Toma de entrada USB A**
20. **en CA: CARGA/EN ESPERA/NORMAL**
Pulsar durante un periodo prolongado esta tecla enciende o pone la unidad en espera. Pulsar brevemente esta tecla enciende la unidad en modo CARGA, EN ESPERA o NORMAL
En CC: NIVEL DE BATERÍA
Al pulsar esta tecla se muestra el nivel de batería actual.
21. **MODO DE ENTRADA A**
Pulse esta tecla para elegir los diferentes modos de ENTRADA A, AUX A, BT A, FM, USB A
22. **ENTRADA A REPRODUCCIÓN/PAUSA**
Pulse esta tecla para elegir reproducción/pausa de la música con ENTRADA A
Mientras reproduce un USB, pulsar durante un periodo prolongado de tiempo esta tecla cambia la cuenta atrás o cuenta hacia delante del tiempo de reproducción.
23. **ENTRADA A VOLUMEN**
Esto se usa para ajustar el volumen de ENTRADA A
24. **ENTRADA A SIGUIENTE**
Pulse esta tecla para elegir la siguiente música con USB A
25. **ENTRADA A ANTERIOR**
Pulse esta tecla para elegir la música anterior con ENTRADA USB A
26. **MENU**
Este interruptor selecciona el modo de volumen principal, bajos, agudos, x-drive y luz.



1. LUZ
2. ESPERA
3. BOTONES NUMÉRICOS
4. SINTONIZANDO-
5. CANAL-
6. VOLUMEN+
7. DRIVE X
8. AGUDOS+
9. VOLUMEN-
10. AGUDOS-
11. AUXILIAR-A
12. USB-A
13. USB-A HACIA DELANTE ►►
14. USB-A HACIA ATRÁS ◄◄
15. LÍNEA
16. USB-B
17. USB-B HACIA DELANTE ►►
18. USB-B HACIA ATRÁS ◄◄
19. SILENCIO
20. FM
21. AUTOMÁTICO
22. SINTONIZAR+
23. CANAL+
24. BT
25. DESCONECTAR
26. BASE+
27. BASE-
28. ENTRADA-A REPETIR
29. ENTRADA-A PAUSA ►|
30. ENTRADA-A ANTERIOR ◄◄
31. ENTRADA-A SIGUIENTE ►|
32. ENTRADA-B REPETIR
33. ENTRADA-B PAUSA ►|
34. ENTRADA-B ANTERIOR ◄◄
35. ENTRADA-B SIGUIENTE ►|



FUNCIONAMIENTO DEL MANDO A DISTANCIA:

- Si el mando a distancia entra en conflicto con otros dispositivos, se verá afectado su funcionamiento.
- No pulse simultáneamente botones en la unidad y en el mando a distancia.
- Evite usar dos mandos a distancia a la vez ya que esto provocará un funcionamiento incorrecto.
- Use únicamente pilas UM-4 tamaño 'AAA'. No mezcle pilas antiguas con nuevas.
- Si las pilas presentan fugas, limpie bien el mando a distancia antes de sustituir las pilas.
- No cortocircuite dos terminales de las pilas. Deshágase de las pilas antiguas en un lugar adecuado.

FUNCIONAMIENTO NORMAL

1. Seleccione el interruptor de alimentación situado en la parte posterior de la unidad del altavoz bien en modo CA o CC.
2. Seleccione una fuente de audio pulsando la tecla ENTRADA A situada en el panel frontal para mostrar AUX A, BT A, FM, USB A. Pulse la tecla ENTRADA B situada en el panel frontal para mostrar LINE, USB B.

Cuando la unidad está en modo CA:

- Pulsar una vez el botón en espera active el modo de carga, mostrando el estado de carga de la batería en la pantalla LED de color azul.
- Pulsar el botón en espera una segunda vez activará el altavoz y mostrará la luz de carga de color verde.
- Asimismo puede seleccionar el modo en espera sin cargar la batería.

Cuando la unidad está en modo CC:

- Pulsar el botón en espera muestra el nivel de batería en la pantalla LED de color azul
3. Gire el dial VOLUME/MULTI/DJ EFFECT en el panel de control o la tecla VOL+/- en el mando a distancia para ajustar el volumen principal. Posteriormente ajuste el deslizador de volumen de ENTRADA A y use el deslizador de volumen derecho para cambiar el volumen de ENTRADA B.
 4. Para ajustar los bajos, agudos, X-drive, luces del altavoz y volumen principal pulse la tecla del menú para seleccionar los bajos, agudos, X-drive, luces del altavoz, y después gire el dial grande VOLUME/MULTI/DJ EFFECT.
 5. Selección de SALIDA DE TELÉFONO. Pulse el botón PHONES MODE en el panel de control para mostrar ENTRADA A, ENTRADA B, o ENTRADA AB y ajuste el volumen de A, B o AB girando el dial de multi efectos DJ.
 6. Pulse el botón LIGHT en el mando a distancia o pulse el botón MENU situado en el panel frontal hasta que se muestre el modo luz del altavoz; posteriormente, gire el dial de VOLUME/MULTI/DJ EFFECT para seleccionar OFF, R, G, B, RG, RB, GB, RGB, AUTO, modo de luz DEMO.
 7. Pulse la tecla MUTE en el mando a distancia para silenciarlo; vuélvalo a pulsar para reanudarlo.
 8. Pulse X DRIVE en el mando a distancia para conectar/desconectar el efecto X-Bass.

OPCIONES DE CONTROL DE COLOR DE LAS LUCES DEL ALTAVOZ

- R = parpadean las luces rojas
- G = parpadean las luces verdes
- B = parpadean las luces azules
- RG = parpadean las luces rojas y verdes RB = parpadean las luces rojas y azules GB = parpadean las luces verdes y azules
- RGB = parpadean las luces rojas, verdes y azules
- Auto = las diversas combinaciones de colores cambian y parpadean.
- Demo = las luces parpadean y cambian de color como si respondieran al ritmo de la música.

APLICACIONES DE LA RADIO

1. Antes de usar las funciones de la radio, debe ajustar la antena para obtener la recepción óptima. Pulse la tecla ENTRADA A en el panel frontal o la tecla FM en el mando a distancia para seleccionar la función "FM".
2. Pulse la tecla AUTO en el mando a distancia o el botón reproducir en el panel de control de ENTRADA A.
El aparato buscará canales de radio desde la frecuencia baja a la frecuencia alta y guarda los canales encontrados uno a uno.
3. Pulse la tecla CH+/CH- en el mando a distancia para cambiar las presintonías de radio que se hayan guardado previamente.
4. Mantenga pulsada la tecla TU+/TU- en el mando a distancia para ajustar manualmente la frecuencia de radio.
5. Para seleccionar emisoras de radio del panel de control, mantenga pulsados los botones siguiente/anterior.

FUNCIÓN KARAOKE Y GUITARRA

1. El aparato puede conectar automáticamente si se ha conectado un MICRÓFONO o una GUITARRA. Por favor, apague del micrófono con el dial MIC.VOL situado en el panel frontal y ajuste el volumen gradualmente tras insertar el micrófono. Comentario: El PMX-350 se entrega con un micrófono inalámbrico que usa 2 pilas AA (no incluidas). Cuando cambie el botón a la posición "ON ", puede hablar a través de él y ajustar el volumen y el eco en el panel de control.
2. Ajuste el dial ECO situado en el panel frontal para cambiar el micrófono a ECO.
3. Ajuste el dial GUITAR VOL en el panel frontal para cambiar el VOLUMEN de la guitarra.

Nota: No toque la parte superior del micrófono cuando cante para evitar el efecto aullido. Ajuste gradualmente el volumen del micrófono para evitar el efecto aullido.

EMPAREJAMIENTO Y CONEXIÓN BLUETOOTH

- Desconecte cualquier dispositivo Bluetooth previamente emparejados (vinculados) con esta unidad.
- Conecte la propiedad Bluetooth de su teléfono o reproductor de música.
- Conecte y fije esta unidad en modo Bluetooth. La luz azul que parpadea "BT" en la pantalla LED indica que se encuentra en modo emparejamiento.
- Fije su teléfono o reproductor de música para que busque los dispositivos Bluetooth.
- Seleccione 'PMX-350' de los resultados de la búsqueda en su teléfono o reproductor de música.
- Seleccione OK o YES (SÍ) para emparejar esta unidad con su teléfono o reproductor de música.
- Si está protegido, introduzca 0000 como contraseña; la luz azul constante indica una conexión con éxito.
- Pulse la tecla DISCONNECT en el mando a distancia para desconectar el Bluetooth.

FUNCIÓN DEL LECTOR USB

Interfaz USB

Esta unidad dispone de dos tomas USB. Pulse la tecla ENTRADA A para seleccionar USB A; posteriormente, puede insertar una memoria USB para reproducir música. Pulse la tecla ENTRADA B para seleccionar USB B; posteriormente, puede insertar otra memoria USB para reproducir música.

Importante: El puerto USB tiene como finalidad únicamente la transferencia de datos; no se pueden usar otros dispositivos con esta conexión USB. No se recomienda el uso de cables de extensión USB.

MOSTRAR HORA

En modo USB, la pantalla puede mostrar bien el tiempo transcurrido o el tiempo restante.

Pulsando durante un periodo prolongado de tiempo la tecla reproducción/pausa, puede seleccionar la pantalla positiva o negativa del tiempo.

CARGAR LA BATERÍA

1. Cuando la batería está en modo alimentada, no se puede usar el funcionamiento en espera.
2. El panel de control dispone de una luz de carga. Cuando la batería está lo suficientemente cargada, la luz es de color verde.
Cuando la batería está baja, la pantalla del sistema avisa de 'LOW POWER' (BATERÍA BAJA) y la luz de vuelve de color rojo.

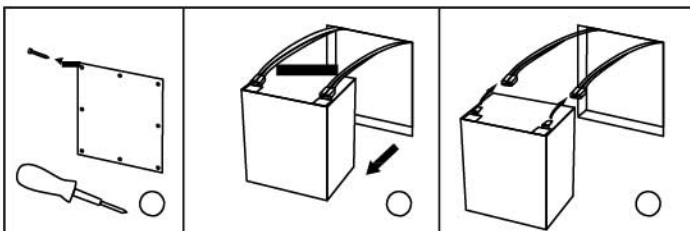
PARA PROTEGER LA VIDA ÚTIL DE LA BATERÍA INTERNA:

ES: Cuando la batería esta descargada, coloque inmediatamente el conmutador de alimentación de la parte trasera del dispositivo en la posición OFF, para proteger la vida de la batería o en la posición AC para cargarla.

Importante: El proveedor no es responsable de los daños resultantes del uso indebido del dispositivo y la batería no está cubierto por la garantía.

DESMONTAJE DE LA BATERÍA

1. Retire los tornillos del panel posterior.
2. Extraiga la batería.
3. Desconecte la batería



ACCESORIOS

Mando a distancia	-----	1 unidad
Manual de instrucciones	-----	1 unidad
Micrófono inalámbrico	-----	1 unidad
Cable de alimentación CA	-----	1 unidad

		ESPECIFICACIONES
Respuesta de frecuencia	-----	20Hz-20KHz
Fuente de alimentación	-----	230V~, 50Hz/12VCC
Consumo de energía	-----	120W
Batería	-----	Plomo/Ácido 12VCC, 7 Ah
Tiempo de reproducción CC	-----	~12 horas al 50% de volumen
Potencia de salida	-----	320W (RMS)
Micrófono	-----	Inalámbrico 864 MHz
Bluetooth	-----	V4.2
Radio FM	-----	87,5-108 MHz
Tamaño de la unidad (A x D x A)	-----	43 x 28 x 115 mm
Tamaño del altavoz de agudos	-----	2,54 x 2,54 cm
Tamaño del woofer	-----	2,54 x 7,62 cm
Tamaño del subwoofer	-----	5,08 x 30,48 cm
Peso de la unidad	-----	29,2 kg
Temperatura de funcionamiento	-----	10-40 °C

- La especificación se presenta solo como referencia. Los valores del peso y del tamaño son aproximados.
- Nuestro producto se mejora constantemente y las especificaciones y funciones pueden cambiarse sin previo aviso.

Tenga en cuenta (Para el uso del micrófono inalámbrico)

Este producto opera a una frecuencia de **864 MHz** y está diseñado sólo para usarse en un entorno doméstico normal. Este producto es adecuado para su uso con esta finalidad en la mayoría de los países de la UE.

El usuario debe comprobar las frecuencias permitidas del país donde se usará la unidad.

(Se puede obtener más información en : <https://www.apwpt.org>)

El usuario es responsable del uso de esta unidad. Lenco no asume ninguna responsabilidad si se usa esta unidad para una finalidad diferente a aquella descrita en este manual.

Garantía

Lenco ofrece servicio y garantía en cumplimiento con las leyes de la Unión Europea, lo cual implica que, en caso de que su producto precise ser reparado (tanto durante como después del periodo de garantía), deberá contactar directamente con su distribuidor.

Nota importante: **No** es posible enviar sus reparaciones directamente a Lenco.

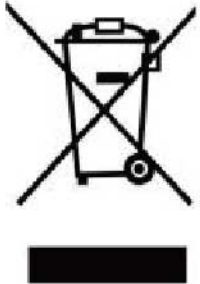
Nota importante: Si la unidad es abierta por un centro de servicio no oficial, la garantía quedará anulada.

Este aparato no es adecuado para el uso profesional. En caso de darle un uso profesional, todas las obligaciones de garantía del fabricante quedarán anuladas.

Exención de responsabilidad

Regularmente se llevan a cabo actualizaciones en el Firmware y en los componentes del hardware. Por esta razón, algunas de las instrucciones, especificaciones e imágenes incluidas en este documento pueden diferir ligeramente respecto a su situación particular. Todos los elementos descritos en esta guía tienen un objetivo de mera ilustración, y pueden no ser de aplicación en su situación particular. No se puede obtener ningún derecho ni derecho legal a partir de la descripción hecha en este manual.

Eliminación del antiguo dispositivo



Este símbolo indica que no deberá deshacerse del producto eléctrico o batería en cuestión junto con los residuos domésticos, en el ámbito de la UE. Para garantizar un tratamiento residual correcto del producto y su batería, por favor, elimínelos cumpliendo con las leyes locales aplicables sobre requisitos para el desecho de equipos eléctricos y baterías. De hacerlo, ayudará a conservar recursos naturales y mejorar los estándares de protección medioambiental en el tratamiento y eliminación de residuos eléctricos (Directiva sobre la Eliminación de Equipos Eléctricos y Electrónicos).

Servicio

Para obtener más información y soporte del departamento técnico, por favor, visite la página web www.lenco.com

Lenco Benelux BV, Thermiekstraat 1a, 6361 HB, Nuth, Países Bajos.