



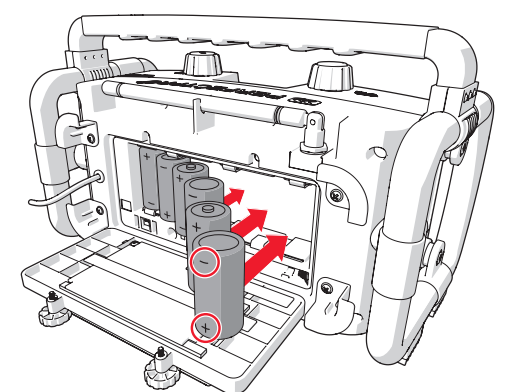
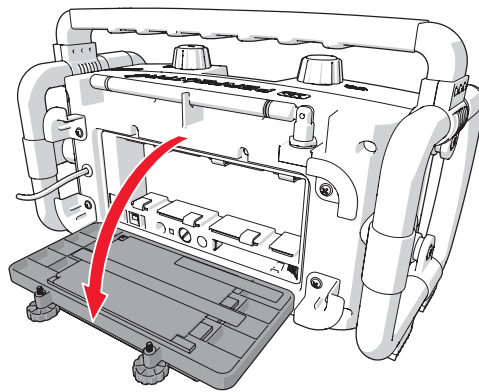
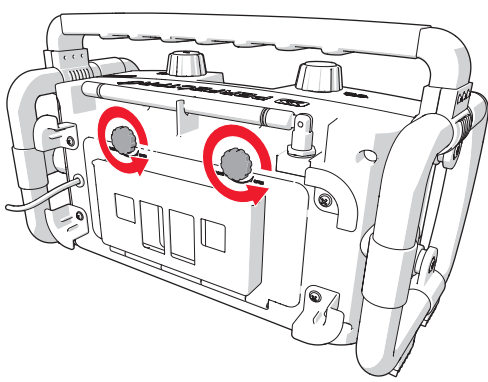
Quickstart manual Handsfree jobsite radio

1

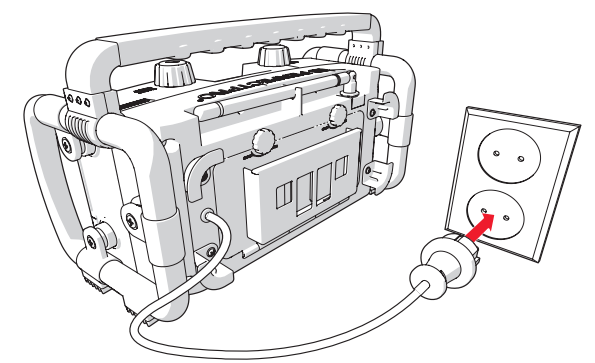
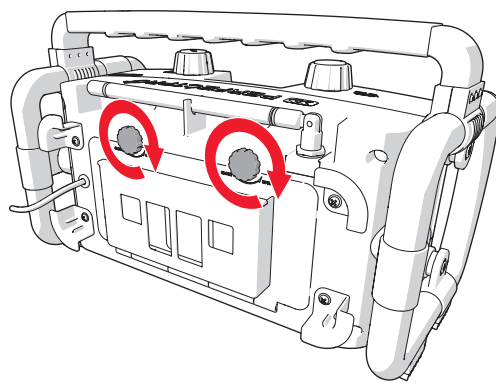
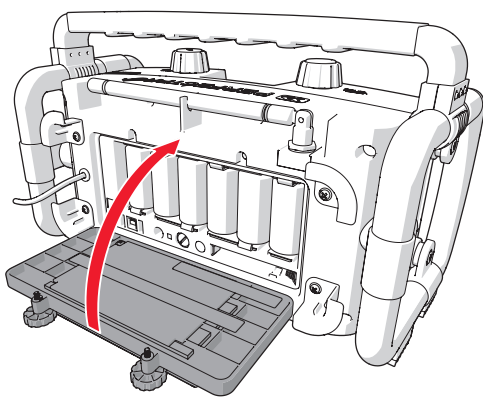
How to insert the batteries and connect to the mains (230V)



Mind the + and - polarity when placing the batteries



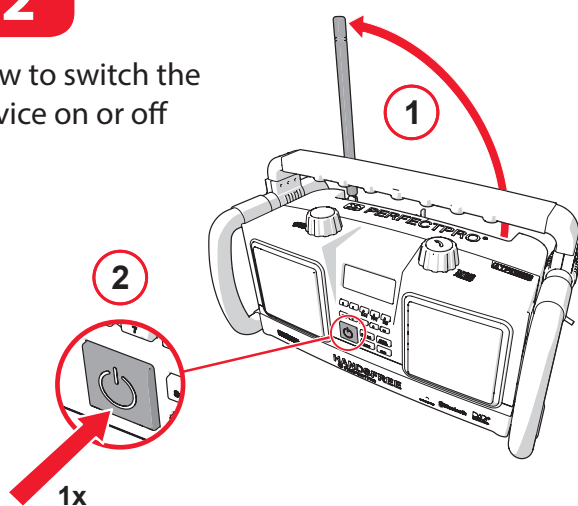
Fully charge the batteries before first use!



After connecting to the mains for the first time, the handsfree jobsite radio will perform a quick scan of the FM and DAB bands and switches to standby

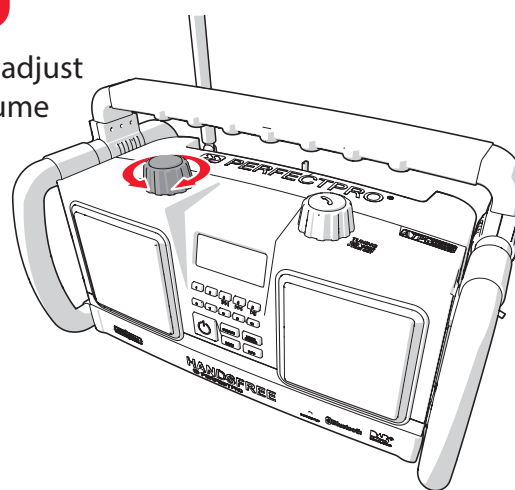
2

How to switch the device on or off



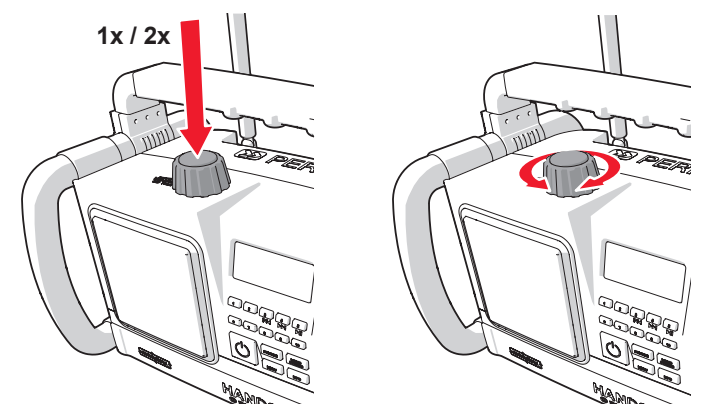
3

How to adjust the volume



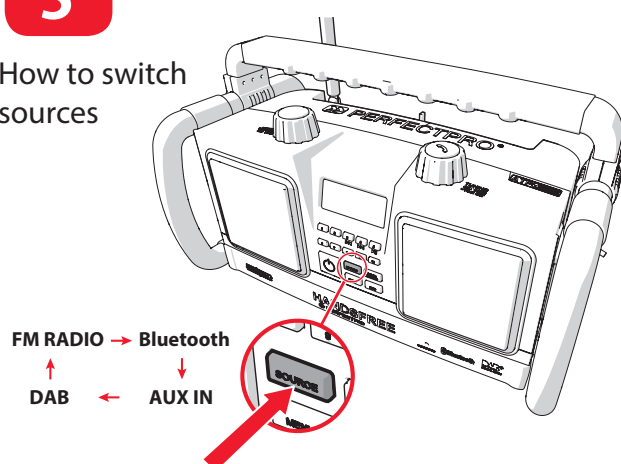
4

How to adjust the Tone (bass or treble)



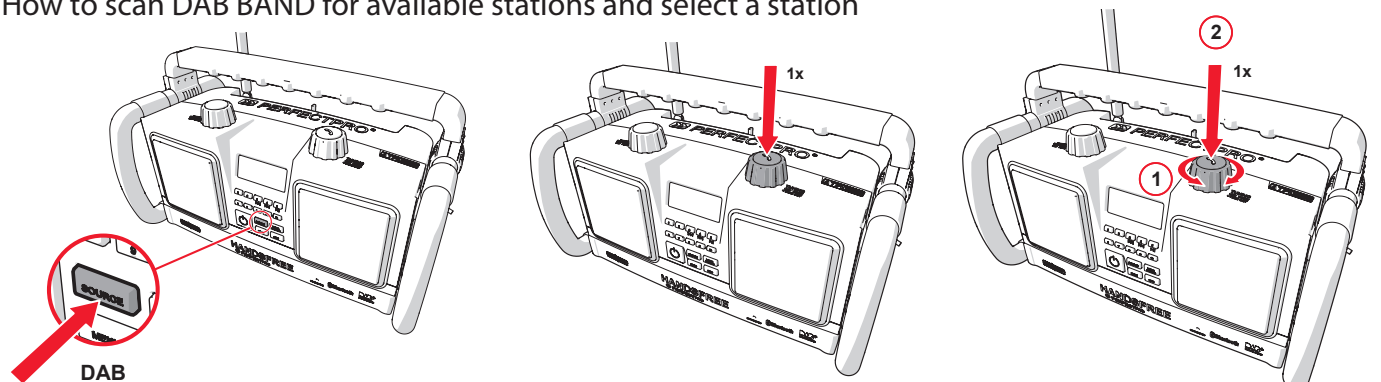
5

How to switch sources



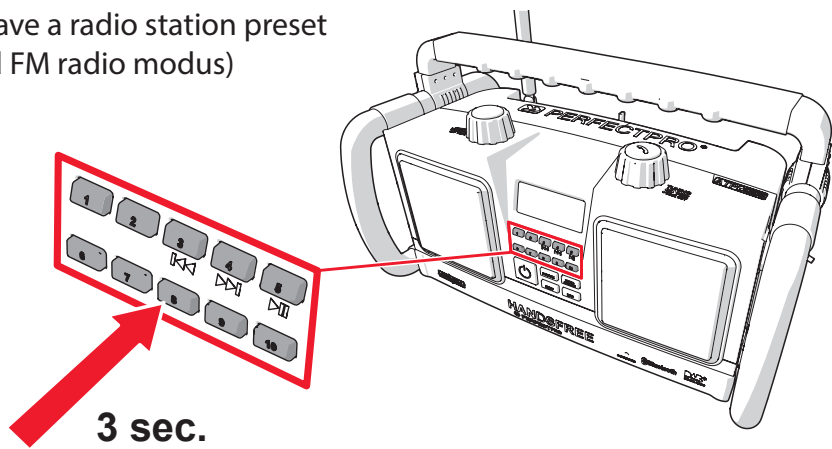
6

How to scan DAB BAND for available stations and select a station

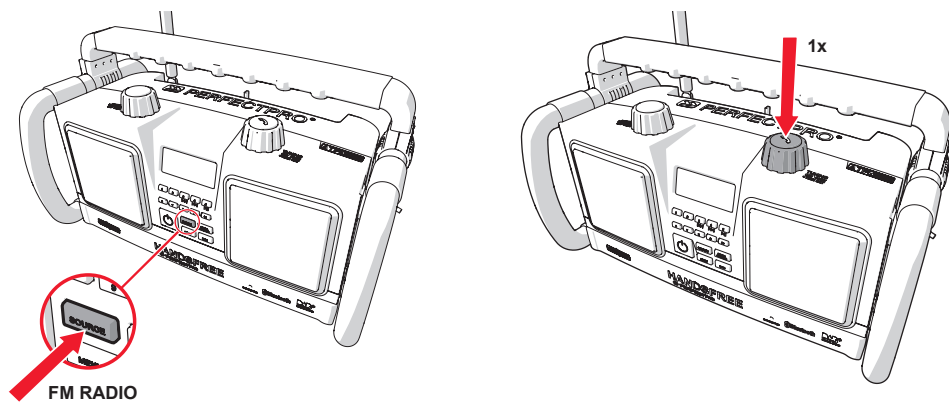


7

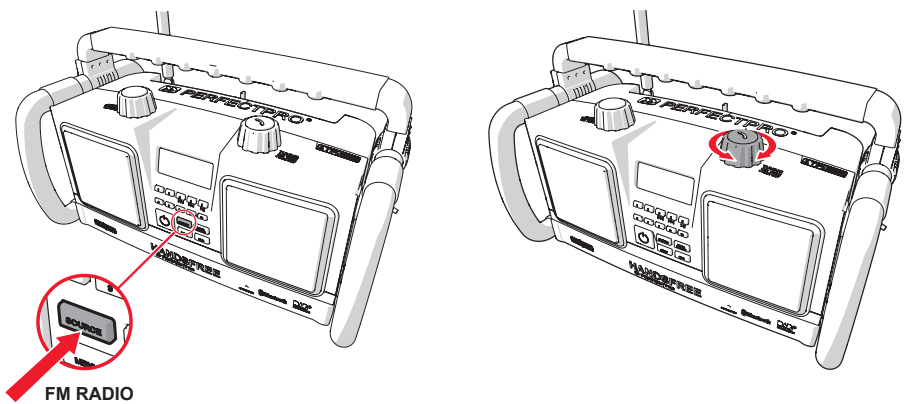
How to save a radio station preset (DAB and FM radio modus)

**8**

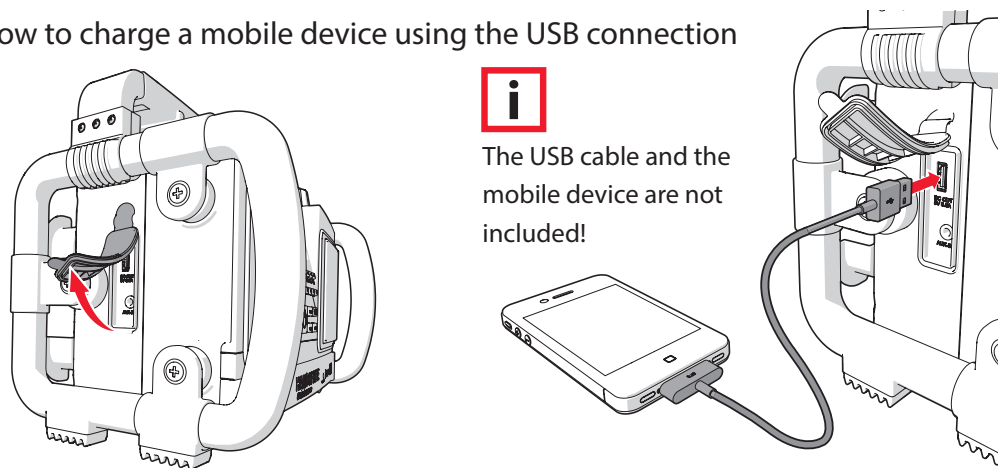
How to search for a radio station in FM modus automatically

**9**

How to search for a radio station in FM modus manually

**10**

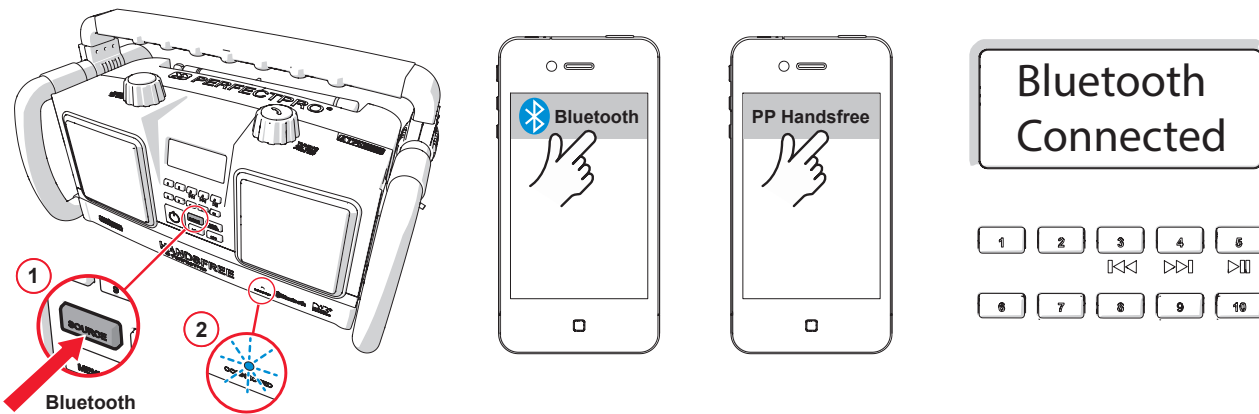
How to charge a mobile device using the USB connection

**i**

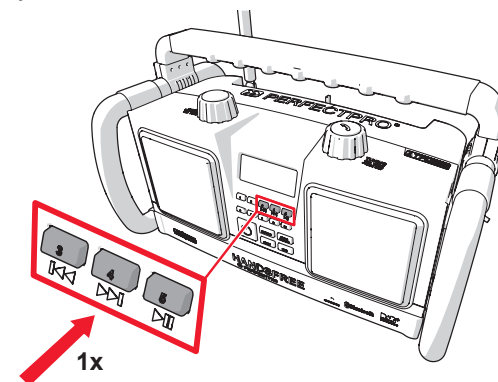
The USB cable and the mobile device are not included!

11

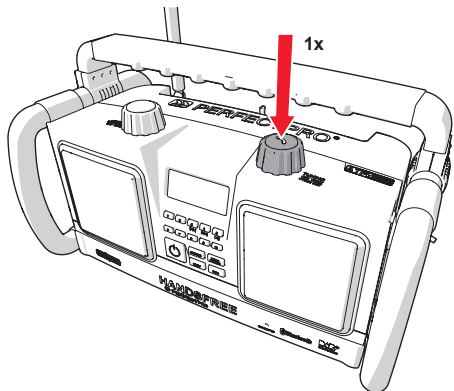
How to make a Bluetooth connection

**12**

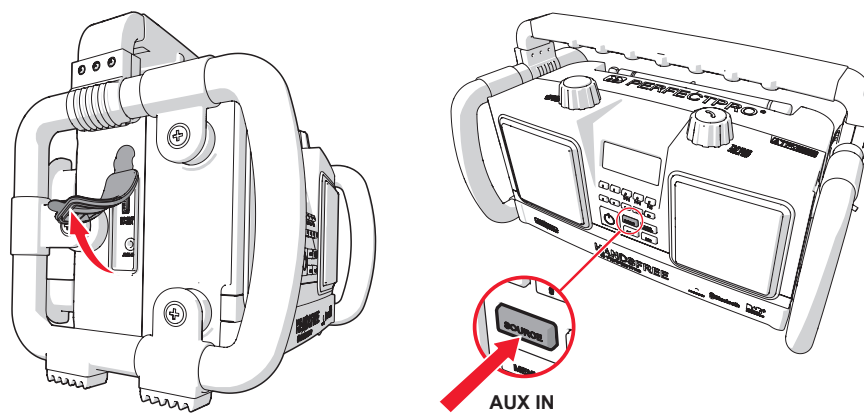
How to operate music on your mobile device via the Handsfree jobsite radio (Bluetooth modus)

**13**

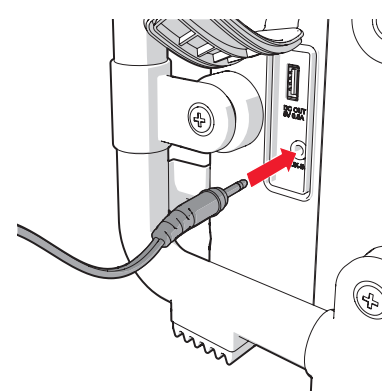
How to answer an incoming phonecall while connected with Bluetooth

**14**

How to make an AUX IN connection

**i**

The AUX IN cable is not included!



Technical specifications

Power Source: AC 230V, 50-60Hz
 Batteries: 6 x 1,5V or 6 x 1,2V (D)
 Batteries for backup: 2 x 1,5V (AA)
 Power usage:
 In use: <15W
 Standby: <0,5W
 Frequency range:
 FM88 – 108,0 MHz
 DAB 174,928 – 239,200 MHz

Speakers:
 Measurements: 2 x Ø100mm
 Resistance: 16 ohm
 Output: Nominal 2 x 5W
 Aux in connection: Ø 3,5mm
 Bluetooth:
 Version: 4.0
 Support: A2DP, ACRCP and HFP
 Rain, dirt and dust resistant (IPX4)

This product is intended for the European market.
 For more information go to
www.perfectpro.eu or read the Instruction manual.

