






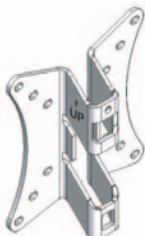


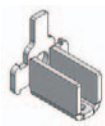








LCD ceiling mount

Safety & assembly instructions



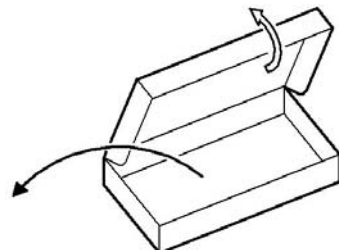
model
35 **74**
New No. Former No.

 Max	US	EU
	55lbs	25kg

1 : 5	A		B		B1		x2	
	x1	x1	C		D		x1	
1 : 5	E				F		x2	
	x3	G				x1		
1 : 2	H				I			
	x1	x3	J				x3	
1 : 2	K				L			
	x1	x3	M				x1	
		N				O		
		x2	x4					

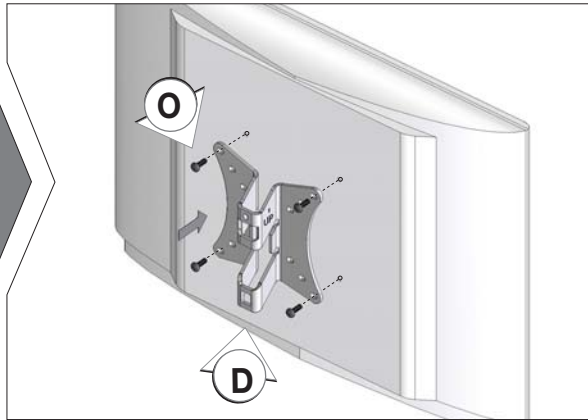
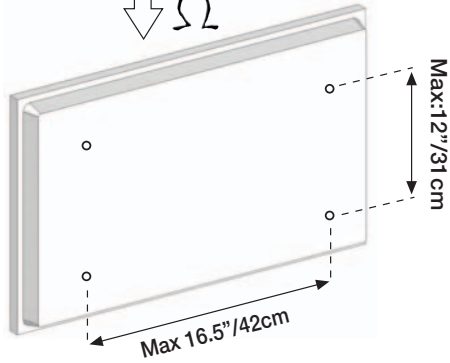
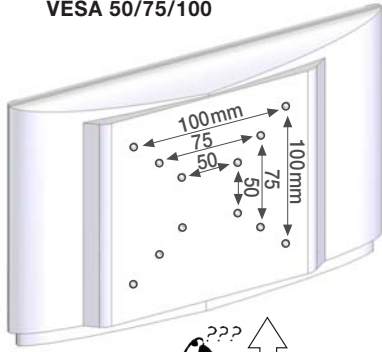


Please make sure that package contains all parts



1

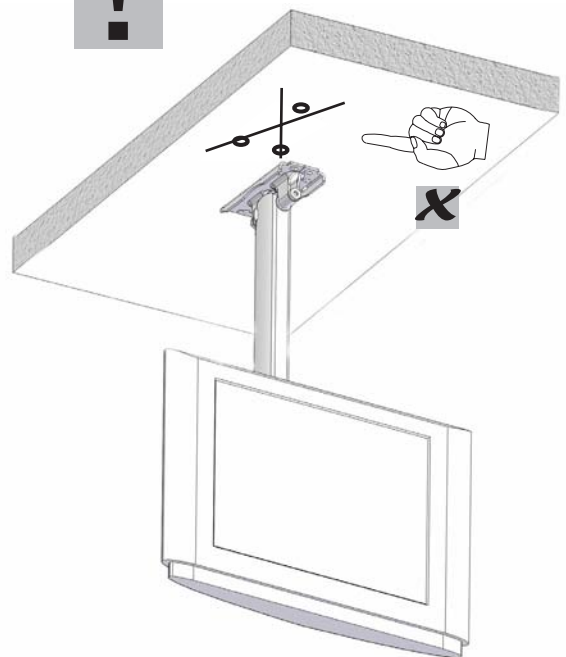
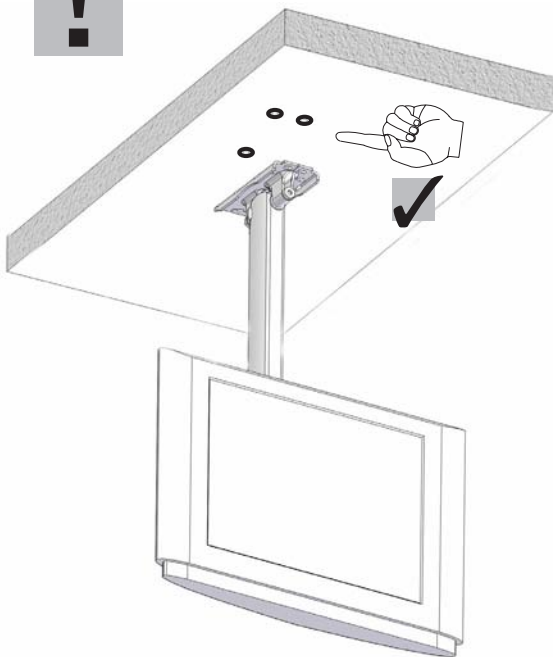
VESA 50/75/100



**LCD mount adaptor
assembly instructions**

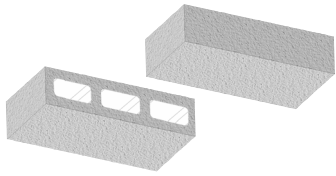
MODEL
37

Barkan
Mounting systems

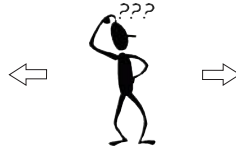


2

2



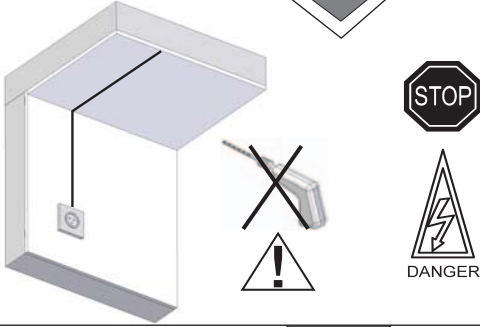
Concrete, concrete hollow blocks or heavy solid bricks ceiling



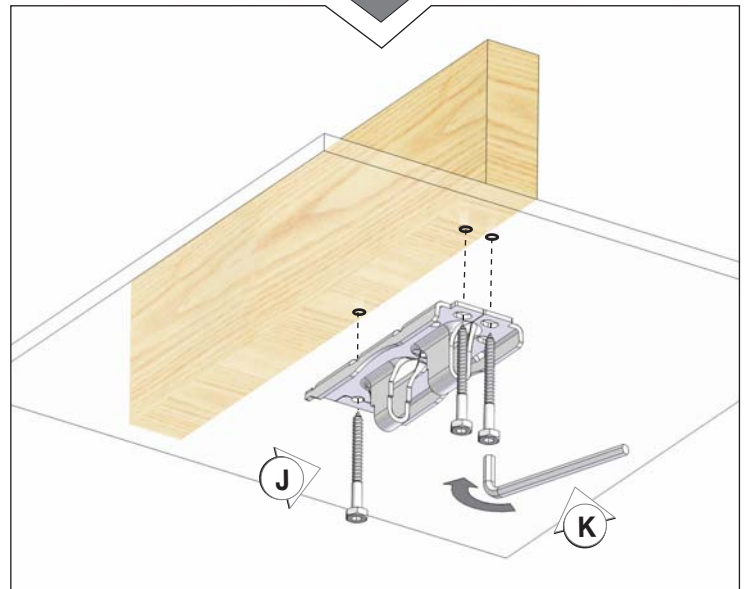
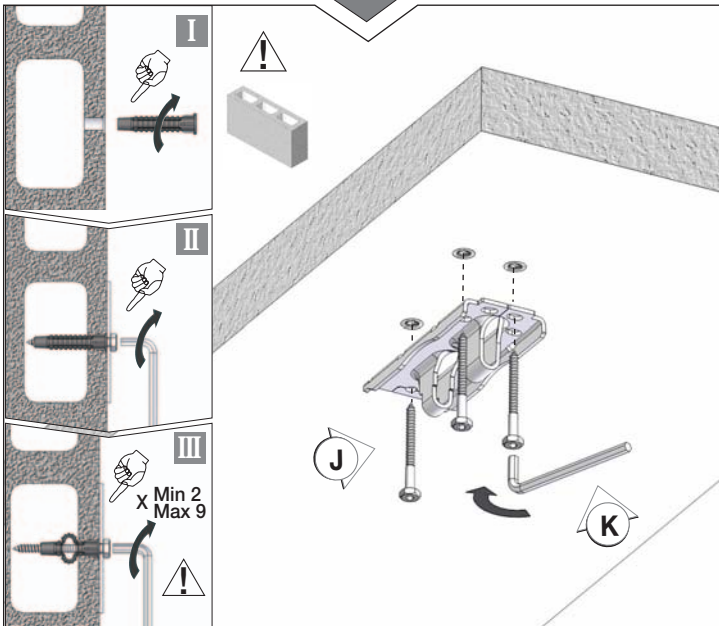
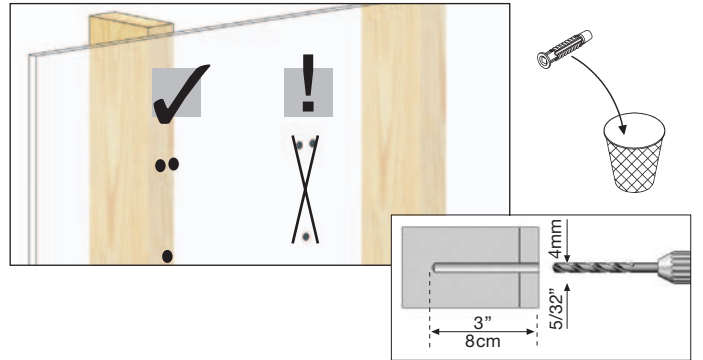
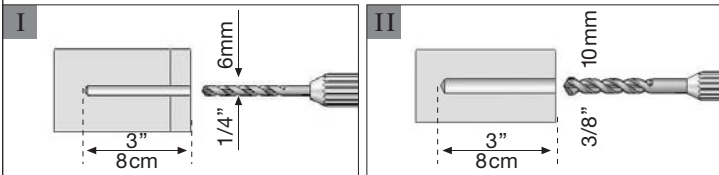
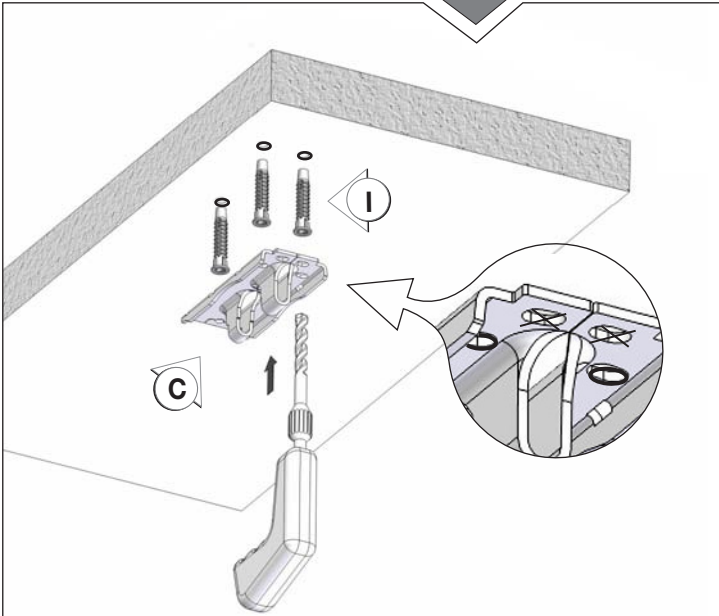
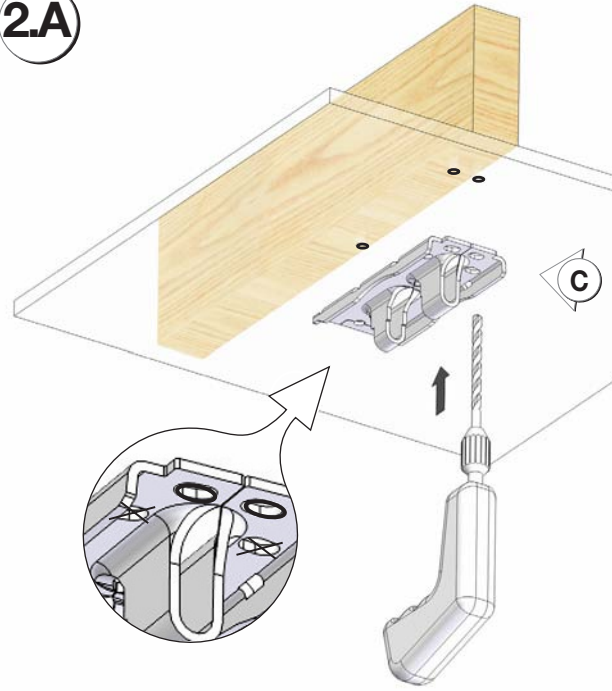
Wood joist ceiling

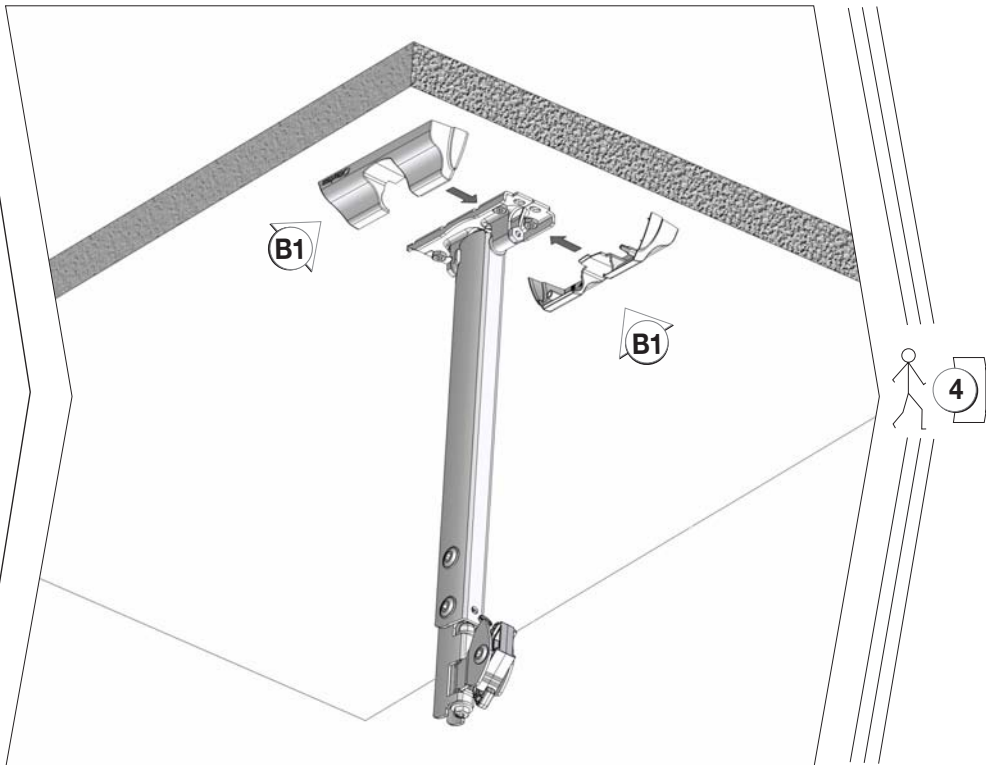
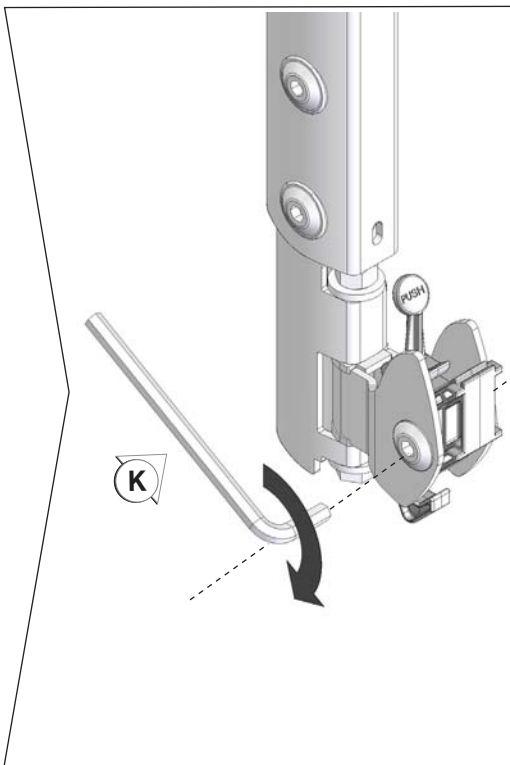
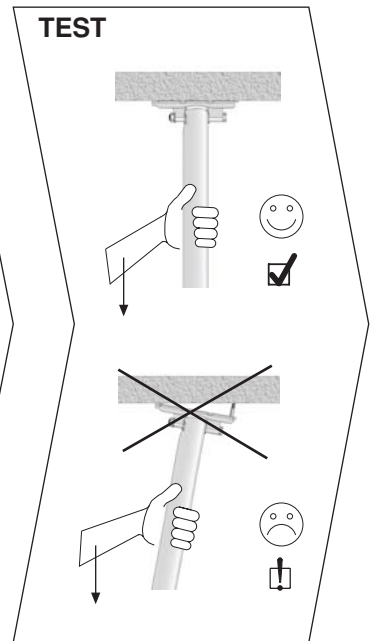
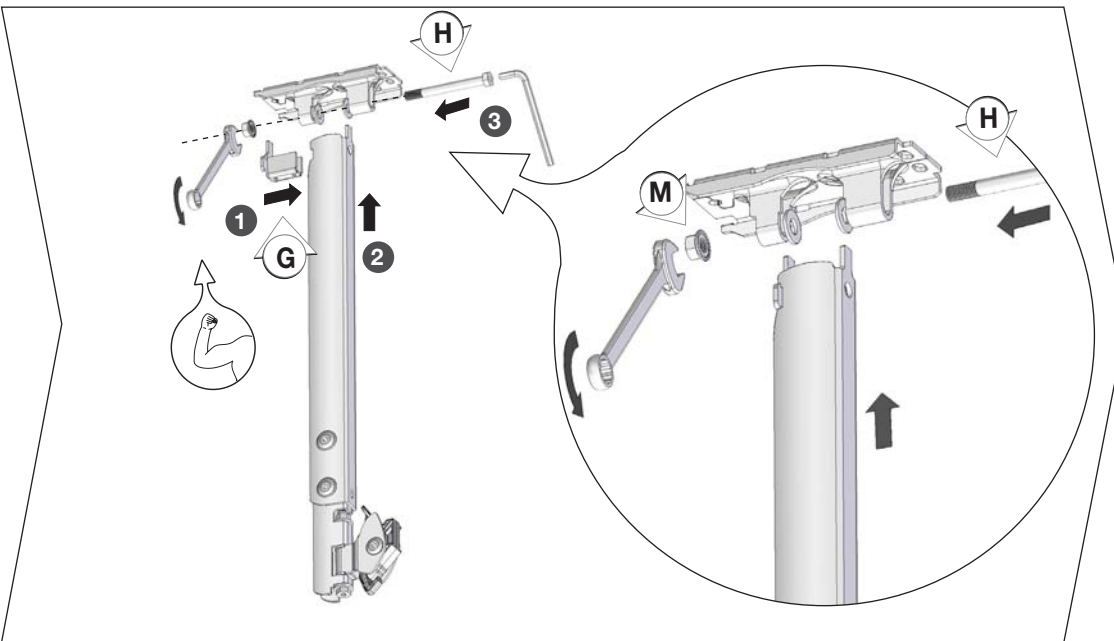
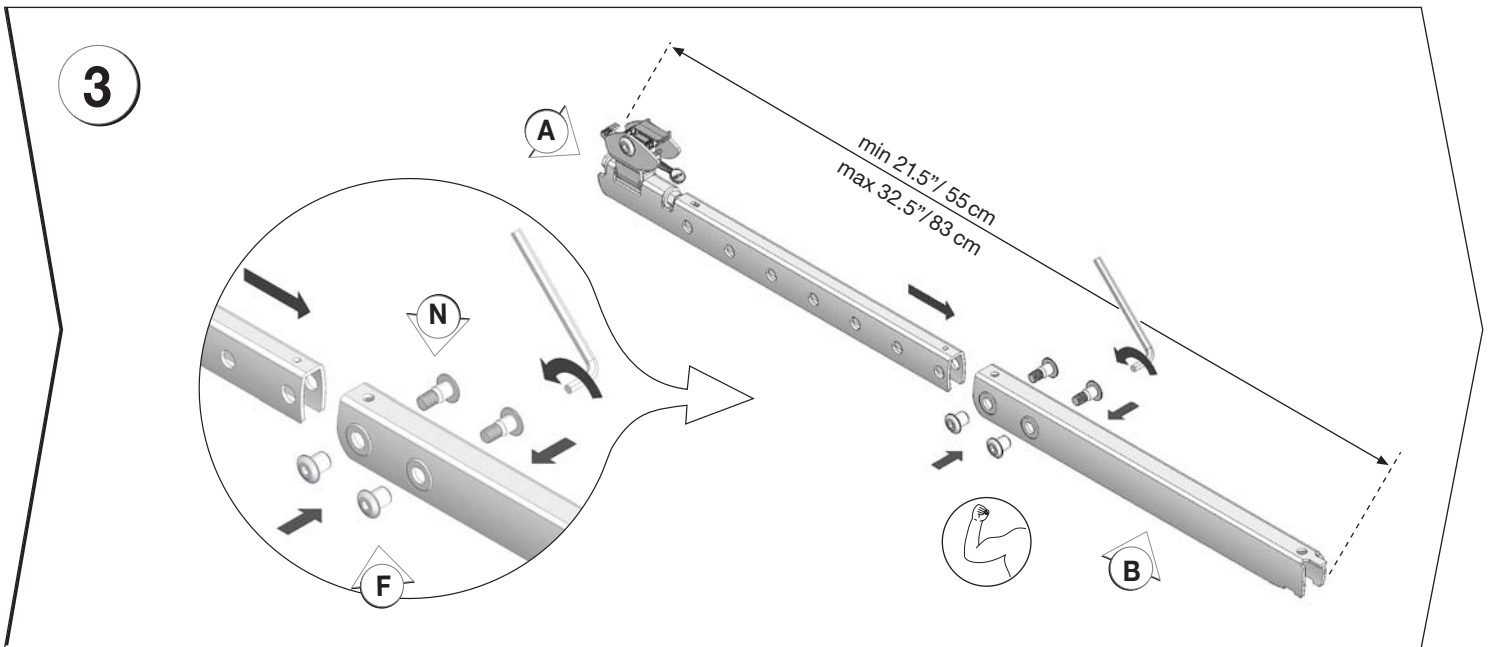


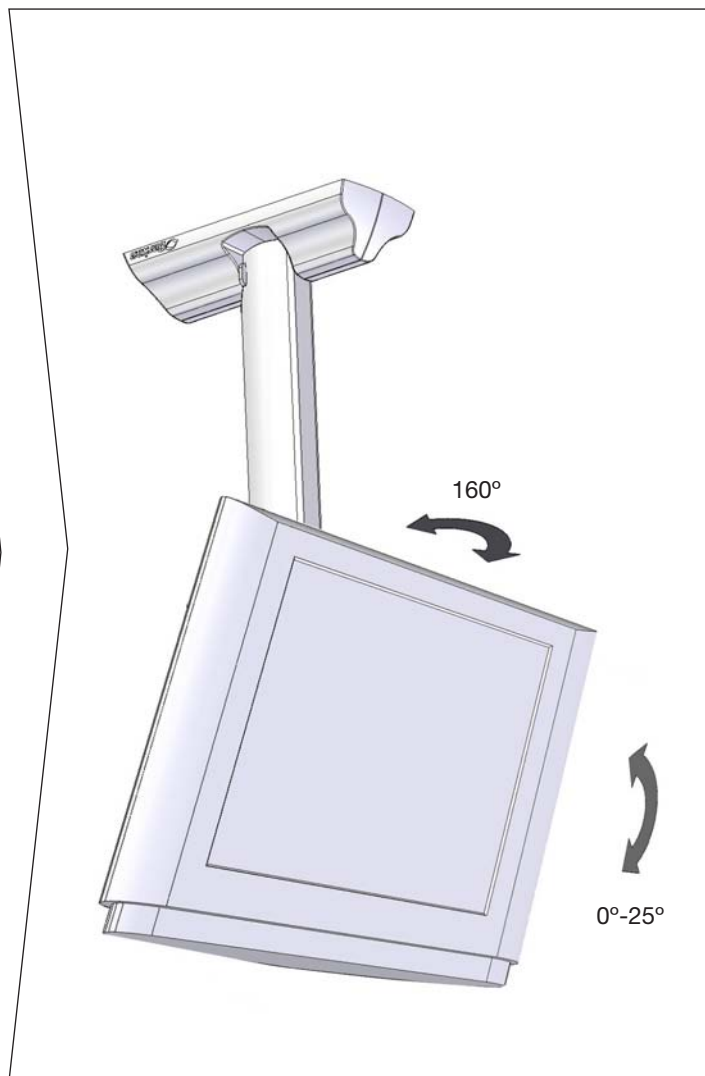
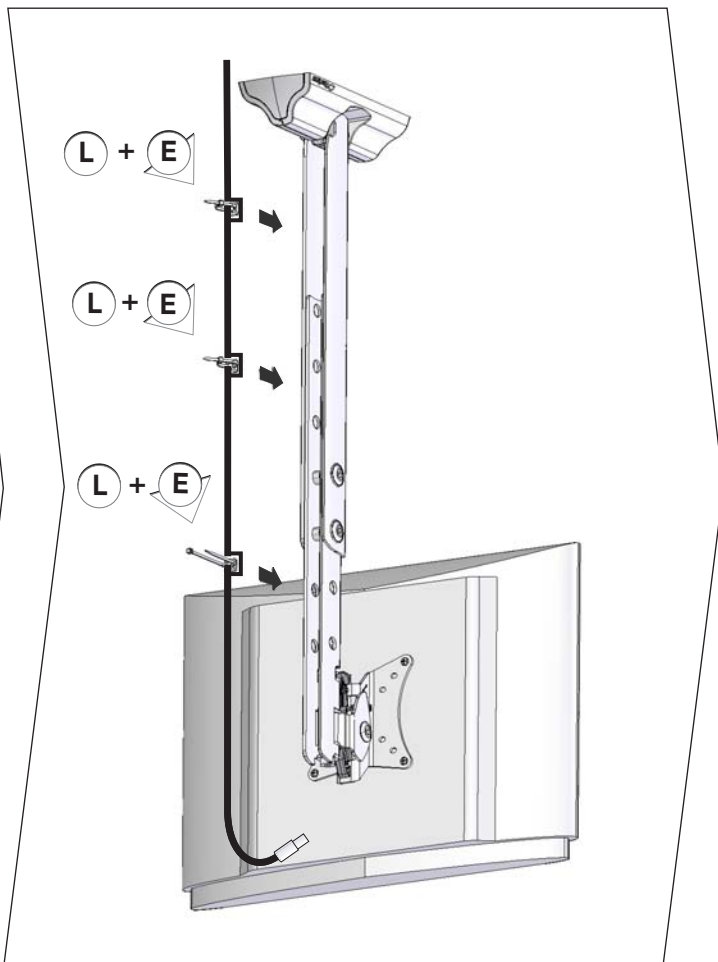
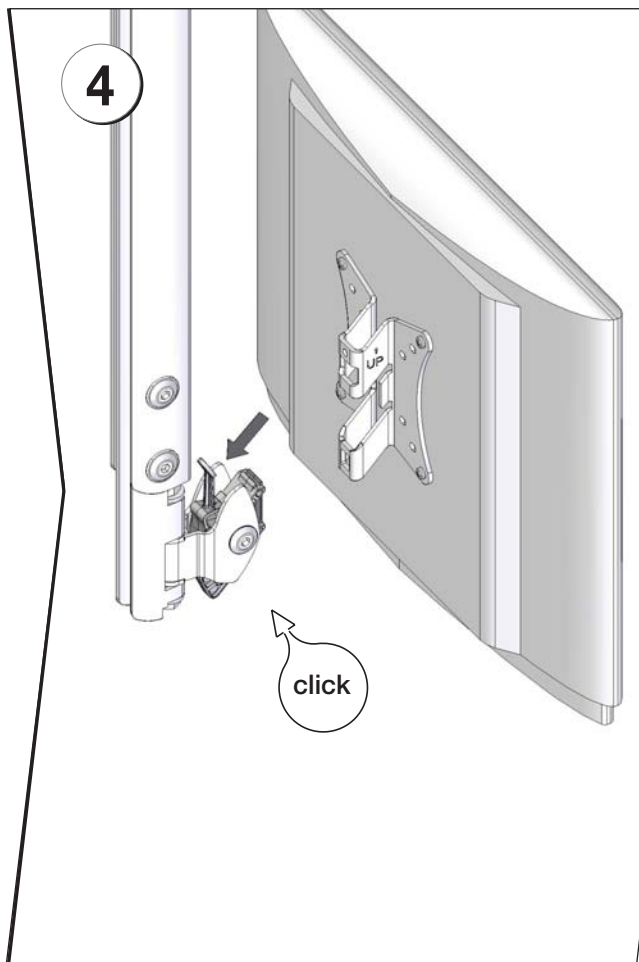
2.1



2.A







LCD connection

VESA 100x200,
VESA 200x200

1:2	A		X4
	B		X8
1:1	C		X4
	D		X4
	E		X4

???

Please make sure that package contains all parts

M-?
M4-Included
M5, M6, M8-Not included

for M6, M8 mm to LCD
• M6, M8 not included

200x200

100x200

100x200

200x200

for M4, M5 mm to LCD
• M5 not included

3 4

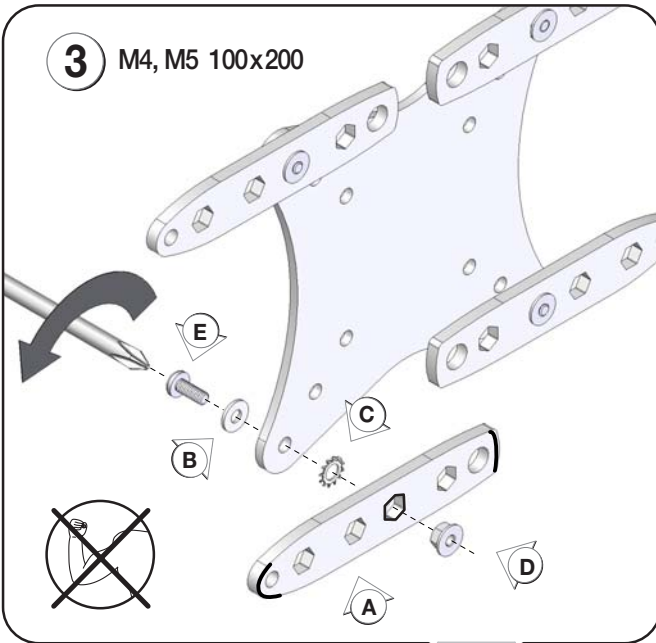
1 M6, M8 100x200

2 M6, M8 200x200

5

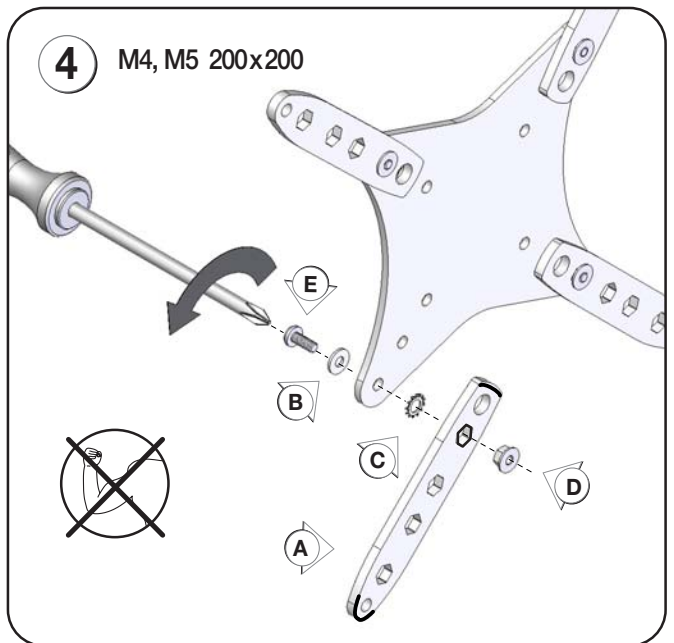
3

M4, M5 100x200

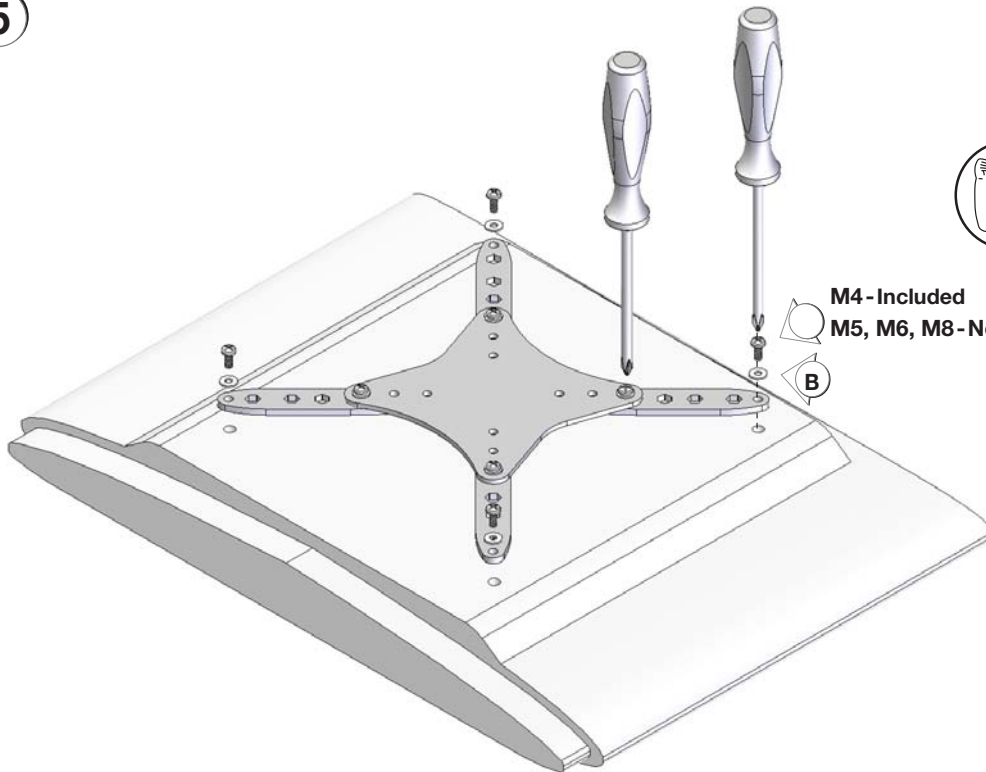


4

M4, M5 200x200



5



M4-Included
M5, M6, M8-Not Included

B